



**FLECK
9000 SXT**



INSTALLER MANUAL

Table of contents

1.	Generalities	7
1.1.	Scope of the documentation	7
1.2.	Release management	7
1.3.	Manufacturer identifier, product	7
1.4.	Intended use	7
1.5.	Abbreviations used	8
1.6.	Norms	8
1.6.1.	Applicable norms	8
1.6.2.	Available certificates	8
1.7.	Procedure for technical support	9
1.8.	Copyright	9
1.9.	Limitation of liability	9
1.10.	Scan & Service application	10
2.	Safety	11
2.1.	Safety pictograms definition	11
2.2.	Serial label location	11
2.3.	Hazards	12
2.3.1.	Personnel	12
2.3.2.	Material	12
2.4.	Hygiene and sanitization	12
2.4.1.	Sanitary issues	12
2.4.2.	Hygiene measures	13
3.	Description	14
3.1.	Technical specifications	14
3.1.1.	Performance flow rate characteristics	15
3.1.2.	Way of operation	16
3.2.	Outline drawing	18
3.3.	Description and components location	19
3.4.	System regeneration cycle	20
3.4.1.	Downflow regeneration cycle (5-cycles operation)	20
3.4.2.	Upflow regeneration cycle (5-cycles operation)	22

4.	System sizing	24
4.1.	Recommendations	24
4.1.1.	Injector/DLFC/BLFC-Valve configuration	24
4.2.	Sizing a softener (single unit)	24
4.2.1.	Parameters to be considered.	24
4.2.2.	Determining the required volume of resin	26
4.2.3.	Resin exchange capacity and capacity of the unit	27
4.2.4.	Valve configuration	29
4.2.5.	Cycle time calculation.	30
4.3.	Salt amount definition	32
4.4.	Injector flow rates	32
4.4.1.	1600 Injectors	33
4.4.2.	1650 Injectors	34
5.	Installation	36
5.1.	Warnings	36
5.2.	Safety notices for installation	36
5.3.	Installation environment	36
5.3.1.	General.	36
5.3.2.	Water	37
5.3.3.	Electrical	37
5.3.4.	Mechanical.	37
5.4.	Integration constraints	38
5.5.	Valve connection to piping	38
5.5.1.	Top-mounted valve installation	38
5.6.	Block diagram and configuration example	41
5.7.	Regeneration types	42
5.8.	Electrical connections	42
5.9.	Bypassing	43
5.10.	Drain line connection	44
5.11.	Overflow line connection	45
5.12.	Brine line connection	46

6.	Programming	47
6.1.	Display	47
6.2.	Commands	48
6.3.	Setting the time of the day (TD)	48
6.4.	Basic programming	48
6.4.1.	Day of Override (DO)	48
6.4.2.	Regeneration time (RT)	48
6.4.3.	Feed Water Hardness (H)	48
6.4.4.	Reserve capacity (RC) or (SF)	49
6.4.5.	Current day of the week (CD)	49
6.5.	Master programming mode	49
6.5.1.	Master programming mode chart	49
6.5.2.	Entering master programming mode	51
6.5.3.	Display format mode (DF)	52
6.5.4.	Regeneration mode (VT)	52
6.5.5.	Regeneration control type (CT)	52
6.5.6.	Valve type (NT)	53
6.5.7.	Tank in service (TS)	53
6.5.8.	Unit capacity (C)	53
6.5.9.	Feedwater hardness (H)	54
6.5.10.	Reserve selection (RS)	54
6.5.11.	Days override (DO)	55
6.5.12.	Regeneration time (RT)	55
6.5.13.	Regeneration cycle step duration	56
6.5.14.	Flow meter type (FM)	57
6.5.15.	Meter pulse	57
6.6.	Diagnostic	58
6.6.1.	Commands	58
6.6.2.	Current flow rate (FR)	58
6.6.3.	Peak flow rate (PF)	58
6.6.4.	Hours since last regeneration (HR)	58
6.6.5.	Volume since last regeneration (VU)	59
6.6.6.	Reserve capacity (RC)	59
6.6.7.	Software version (SV)	59
6.7.	Resetting the controller	59
6.7.1.	Soft reset (SR)	59
6.7.2.	Hard reset (HR)	60

7.	Commissioning	61
7.1.	Water filling, draining and waterproofness inspection	61
7.1.1.	Activating the softener	61
7.2.	Sanitization	62
7.2.1.	Disinfection of water softeners	62
7.2.2.	Sodium or calcium hypochlorite	62
7.2.3.	Electro chlorination.	63
8.	Operation	64
8.1.	Display during operation	64
8.1.1.	During regeneration	64
8.2.	Recommendations	64
8.3.	Manual regeneration	65
8.3.1.	Manual delayed regeneration	65
8.3.2.	Immediate regeneration.	65
8.3.3.	To advance regeneration cycles.	65
8.4.	Operation during a power failure	65
9.	Maintenance	66
9.1.	Recommendations	66
9.1.1.	Use original spare parts.	66
9.1.2.	Use original approved lubricants.	66
9.1.3.	Maintenance instructions	66
9.2.	Cleaning and maintenance	66
9.2.1.	First steps	66
9.2.2.	Controller replacement	67
9.2.3.	Power head disassembly/replacement.	68
9.2.4.	Piston and/or seal and spacer kit replacement	70
9.2.5.	Injector block cleaning	80
9.2.6.	BLFC cleaning	80
9.2.7.	Controller motor replacement.	82
9.2.8.	Micro-switches replacement	83
9.2.9.	Valve & second tank adapter on tank assembly	84

10.	Troubleshooting	85
10.1.	Error detection	87
10.2.	Error types and causes	87
10.2.1.	Motor stall/cam sense error	87
10.2.2.	Motor run-ON error/cycle sense error	88
10.2.3.	Regeneration failure	88
10.2.4.	Memory error	89
11.	Spare parts	90
11.1.	Valve parts list	90
11.2.	Power head parts list	92
11.3.	Controller parts list	94
11.4.	3/4" plastic turbine meter	95
11.5.	1" brass turbine meter	96
11.6.	Bypass valve list	97
11.6.1.	Plastic bypass (no yoke)	97
11.6.2.	1" BSP female stainless steel bypass	98
11.6.3.	1" BSP female brass with mixing	99
11.7.	Second tank adapter parts list	100
11.8.	Safety brine valves list	101
11.9.	Air checks list	101
11.10.	Distributors list	102
11.11.	Yokes	103
11.12.	Other components list	104
11.13.	CE compliance parts list	105
12.	Disposal	106

1. Generalities

1.1. Scope of the documentation

The documentation provides the necessary information for appropriate use of the product. It informs the user to ensure efficient execution of the installation, operation or maintenance procedures.

The content of this document is based on the information available at the time of publication. The original version of the document was written in English.

For safety and environmental protection reasons, the safety instructions given in this documentation must be strictly followed.

This manual is a reference and will not include every system installation situation. The person installing this equipment should have:

- training in the Fleck series, SXT controllers and water softener installation;
- knowledge of water conditioning and how to determine proper controller settings;
- basic plumbing skills.

This document is available in other languages on www.pentairaquaeurope.com/product-finder/product-type/control-valves.

1.2. Release management

Revision	Date	Author	Description
A	17.01.2018	BRY/GJA	First edition
B	08.06.2018	BRY/FIM	Address change, Bleam information and valve on tank assembly.

1.3. Manufacturer identifier, product

Manufacturer: Pentair International LLC
Avenue de Sevelin 18
1004 Lausanne
Switzerland

Product: Fleck 9000 - SXT

1.4. Intended use

The device is intended to be used for domestic applications only and it is purpose-built for water treatment.

1.5. Abbreviations used

assy.....	Assembly
BLFC.....	Brine Line Flow Controller
BV.....	Brine Valve
CW.....	Cold Water
DF.....	Down Flow
DLFC.....	Drain Line Flow Controller
HW.....	Hot Water
Inj.....	Injector
PN.....	Part Number
QC.....	Quick Connect
Regen.....	Regeneration
SBV.....	Safety Brine Valve
S&S.....	Seals & Spacers
STD.....	Standard
TC.....	Time Clock
UF.....	Up Flow
VB.....	Valve Body

1.6. Norms

1.6.1. Applicable norms

Comply with the following guidelines:

- 2006/42/EC: machinery directive;
- 2014/35/UE: low voltage directive;
- 2014/30/UE: electromagnetic compatibility;
- 2011/65/CE: restriction of use of certain hazardous substances in electrical and electronic equipment (RoHS);
- UNI EN ISO9001 (certificate no. 95.022 SSG ICS).

Meets the following technical standards:

- EN 55014-1;
- EN 55014-2;
- EN 61000-6-1;
- EN 61000-6-2;
- EN 61000-6-3;
- EN 61000-6-4;
- EN 61010-1.

1.6.2. Available certificates

- CE;
- DM174;
- ACS.

Access to all certifications:



1.7. Procedure for technical support

Procedure to follow for any technical support request:

A Collect the required information for a technical assistance request:

- product identification (see chapters 2.2. Serial label location, page 11 and 9.1. Recommendations, page 66);
- problem description of the device.

B Please refer to the chapter, 10. Troubleshooting, page 85. If the problem persists contact your supplier.

1.8. Copyright

© 2018 Pentair International Sàrl. All rights reserved.

1.9. Limitation of liability

Pentair Quality System EMEA products benefit, under specific conditions, from a manufacturer warranty that may be invoked by Pentair's direct customers. Users should contact the vendor of this product for applicable conditions and in case of a potential warranty claim.

Any warranty provided by Pentair regarding the product will become invalid in case of:



- improper installation, improper programming, improper use, improper operation and/or maintenance leading to any kind of product damages;
- improper or unauthorized intervention on the controller or components;
- incorrect, improper or wrong connection/assembly of systems or products with this product and vice versa;
- use of a non-compatible lubricant, grease or chemicals of any type and not listed by the manufacturer as compatible for the product;
- failure due to wrong configuration and/or sizing.

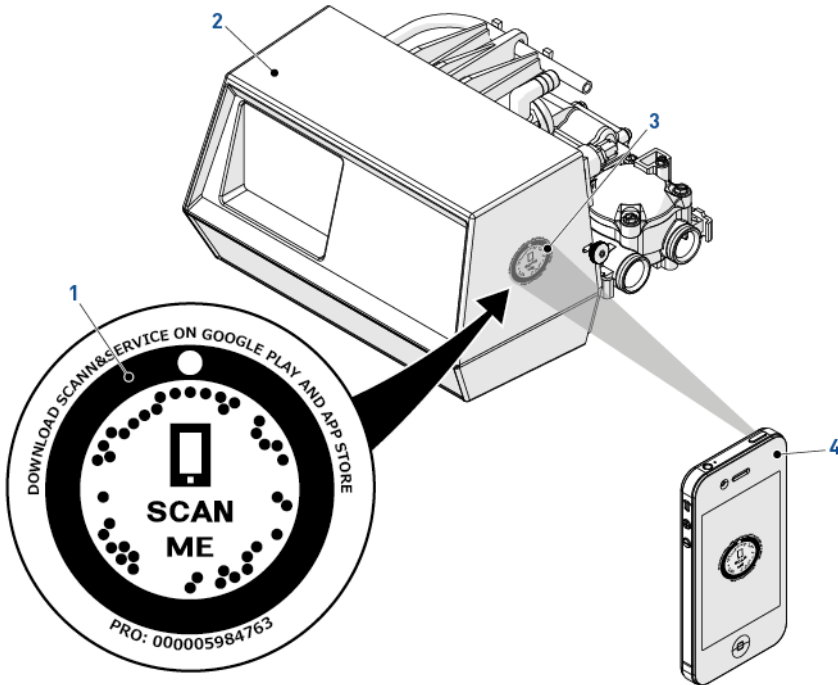
Pentair accepts no liability for equipment installed by the user upstream or downstream of Pentair products, as well as for process/production processes which are installed and connected around or even related to the installation. Disturbances, failures, direct or indirect damages that are caused by such equipment or processes are also excluded from the warranty. Pentair shall not accept any liability for any loss or damage of profits, revenues, use, production, or contracts, or for any indirect, special or consequential loss or damage whatsoever. Please refer to the Pentair List Price to know more about terms and conditions applicable to this product.

1.10. Scan & Service application

Scan & Service mobile application is the ideal support for the maintenance person in his daily business. A simple scan of an identification (ID) label (1) present on the valve (2) with a smartphone gives an instantaneously access to all updated information related to the product, such as:

- valve's and tanks detailed configuration;
- manuals;
- spare parts lists;
- troubleshooting recommendations;
- multi-lingual videos, detailing how to best service a part;
- informations about new products, latest technologies, novelties about the Blue Network program, etc....

No.	Operation
A	Download the application "Scan & Service" from  or  in a smartphone (4).
B	Open the application "Scan & Service".
C	Scan the bleam (3) stuck on the valve (2).
D	Navigate to find information.



2. Safety

2.1. Safety pictograms definition



Caution

Warns of a risk of minor injury or major material damage to the device or environment.



Warning

Warns against serious personal injury and damage to health.



Danger

Warns against serious personal injury or death.



Mandatory

Standard or measure to apply.



Note

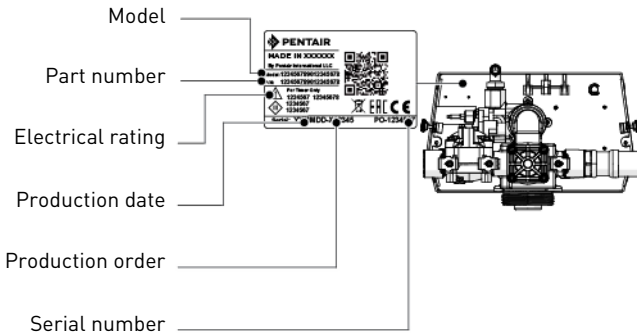
Comment.



Prohibition

Restriction to be observed.

2.2. Serial label location



Note

Ensure that the serial label and the safety tags on the device are completely legible and clean. If necessary, replace them with new tags and put them in the same places.

2.3. Hazards

All the safety and protection instructions contained in this document must be observed in order to avoid temporary or permanent injury, damage to property or environmental pollution.

At the same time, any other legal regulations, accident prevention and environmental protection measures, as well as any recognized technical regulations relating to appropriate and risk-free methods of working which apply in the country and place of use of the device must be adhered to.

Any non-observation of the safety and protection rules, as well as any existing legal and technical regulations, will result in a risk of temporary or permanent injury, damage to property or environmental pollution.

2.3.1. Personnel

Only qualified and professional personnel, based on their training, experience and instruction as well as their knowledge of the regulations, the safety rules and operations performed, are authorized to carry out necessary work.

2.3.2. Material

The following points must be observed to ensure proper operation of the system and the safety of user:

- be careful of high voltages present on the transformer (230V);
- do not put your fingers in the system (risk of injuries with moving parts and shock due to electric voltage).

2.4. Hygiene and sanitization

2.4.1. Sanitary issues

Preliminary checks and storage

- Check the integrity of the packaging. Check that there is no damage and no signs of contact with liquid to make sure that no external contamination occurred;
- the packaging has a protective function and must be removed just before installation. For transportation and storage appropriate measures should be adopted to prevent the contamination of materials or objects themselves.

Assembly

- Assemble only with components which are in accordance with drinking water standards;
 - after installation and before use, perform one or more manual regenerations in order to clean the media bed. During such operations, do not use the water for human consumption. Perform a disinfection of the system in the case of installations for treatment of drinking water for human use.
-

**Note**

This operation must be repeated in the case of ordinary and extraordinary maintenance. It should also be repeated whenever the system remains idle for a significant time.

**Note**

Valid only for Italy: In case of equipment used in accordance with the DM25, apply all the signs and obligations arising from the DM25.

2.4.2. Hygiene measures**Disinfection**

- The materials used for the construction of our products meet the standards for use with potable water; the manufacturing processes are also geared to preserving these criteria. However, the process of production, distribution, assembly and installation, may create conditions of bacterial proliferation, which may lead to odor problems and water contamination;
- it is therefore strongly recommended to sanitize the products. See 7.2. Sanitization, page 62;
- maximum cleanliness is recommended during the assembly and installation;
- for disinfection, use Sodium or Calcium Hypochlorite and perform a manual regeneration.

3. Description

3.1. Technical specifications

Design specifications/ratings

Valve body	Brass	
Rubber components	EP or EPDM	
Valve material certification	DM174, ACS	
	¾"	1"
Weight (valve with controller)	8.6 kg	10.4 kg
Recommended operating pressure	1.8 - 8.6 bar	
Maximum inlet pressure	8.6 bar	
Hydrostatic test pressure.....	20 bar	
	STD	HW
Water temperature	1 - 43°C	1 - 65°C
Ambient temperature	5 - 40°C	

Flow rates (3.5 bar inlet - valve only)

	¾"	1"
Continuous ($\Delta p = 1$ bar)	4.0 m ³ /h	4.7 m ³ /h
Peak ($\Delta p = 1.7$ bar).....	5.4 m ³ /h	6.3 m ³ /h
Cv*	4.8 gpm	5.1 gpm
Kv*	4.0 m ³ /h	4.3 m ³ /h
Maximum backwash ($\Delta p = 1.8$ bar)	1.9 m ³ /h	1.9 m ³ /h

*Cv : Flow rate in gpm across the valve at a pressure drop of 1 psi at 60°F.

*Kv : Flow rate in m³/h across the valve at a pressure drop of 1 bar at 16°C.

Valve connections

Tank Thread	2½" - 8NPSM
Inlet/Outlet.....	¾" or 1" BSP, male
Riser tube	26.7 mm O.D., 1.05" tube
Drain line	½" O.D.
Brine line (1600/1610)	⅜"

Electrical

Transformer input voltage	230 VAC
Input supply frequency	50 to 60 Hz
Transformer output voltage	24 VAC
Motor input voltage.....	24 VAC
Controller input voltage	24 VAC
Controller max. power consumption	8 W
Protection rating.....	IP 22
Power supply	100 to 240 VAC, 50/60 Hz, 0.5 A, Class II
Transient overvoltages	within the limits of category II
Pollution Degree.....	3

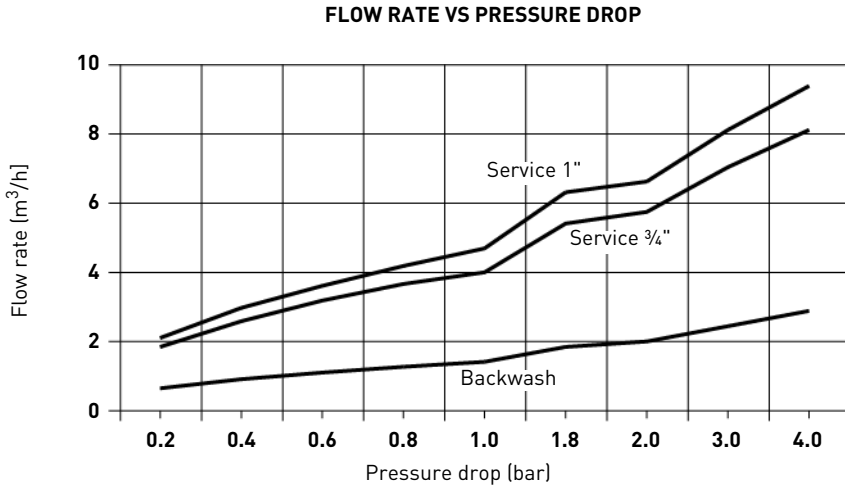
Temporary overvoltages must be limited in duration and in frequency.

Environmental conditions

- Indoor use only;
- temperature from 5°C to 40°C;
- maximum relative humidity 80% for temperatures up to 31°C decreasing linearly to 50% relative humidity at 40°C;
- mains supply voltage fluctuations up to $\pm 10\%$ of the nominal voltage.

3.1.1. Performance flow rate characteristics

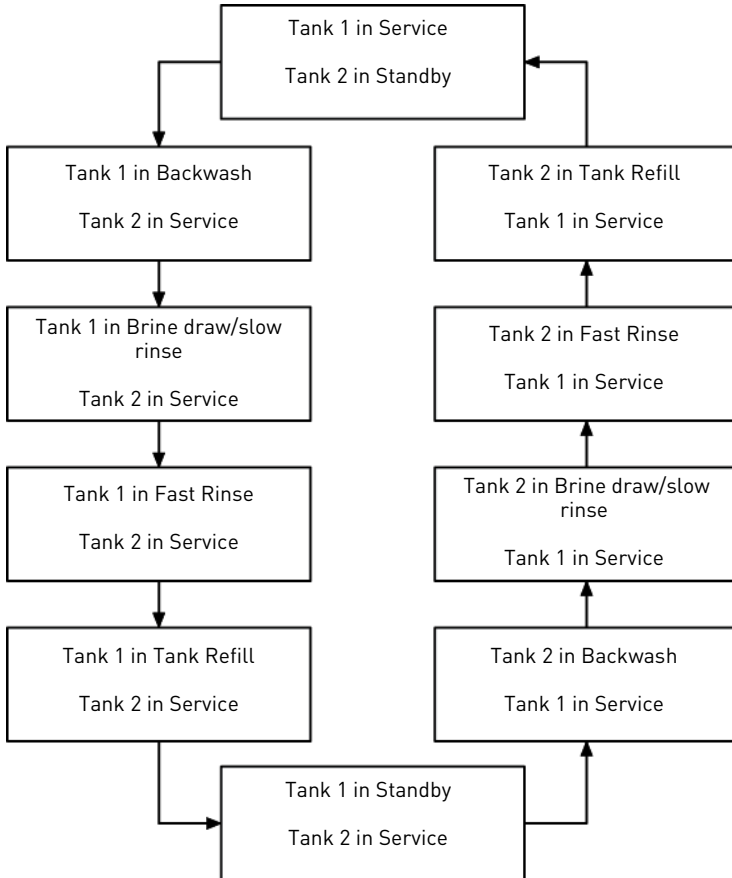
The graph shows the pressure drop created by the valve itself at different flow rates. It allows to predetermine the maximum flow rate going through the valve depending on the system settings (inlet pressure etc). It also allows to determine the valve pressure drop at a given flow rate, and therefore to evaluate the system pressure drop vs flow rate.



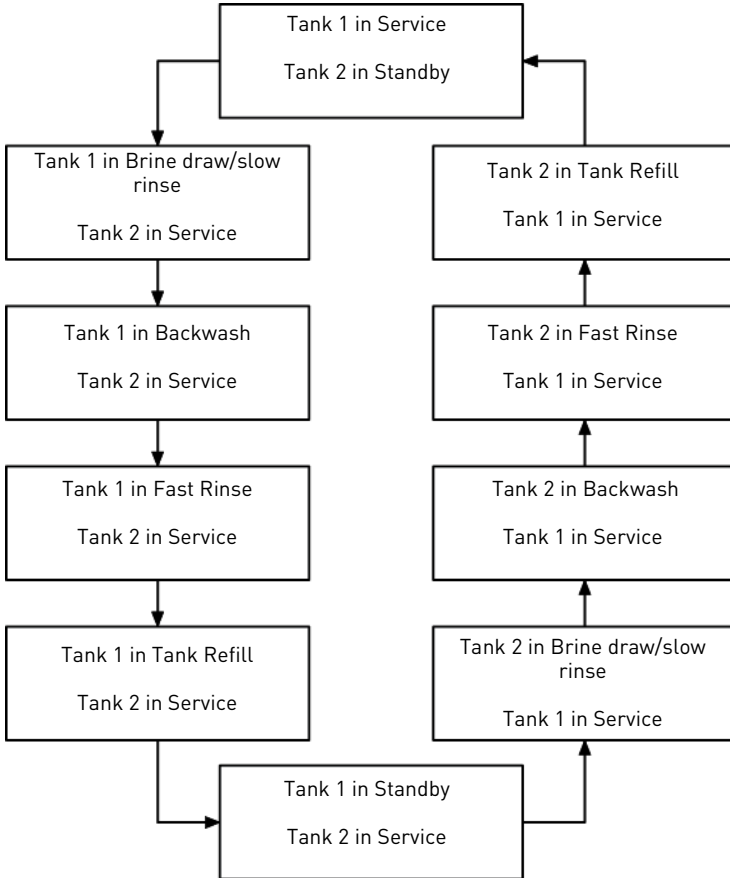
3.1.2. Way of operation

The 9000 valve is a twin alternating valve with immediate regeneration when a tank is exhausted. As soon as the programmed capacity (m³) becomes zero, the controller switches tanks and begins regeneration in the exhausted tank as shown below.

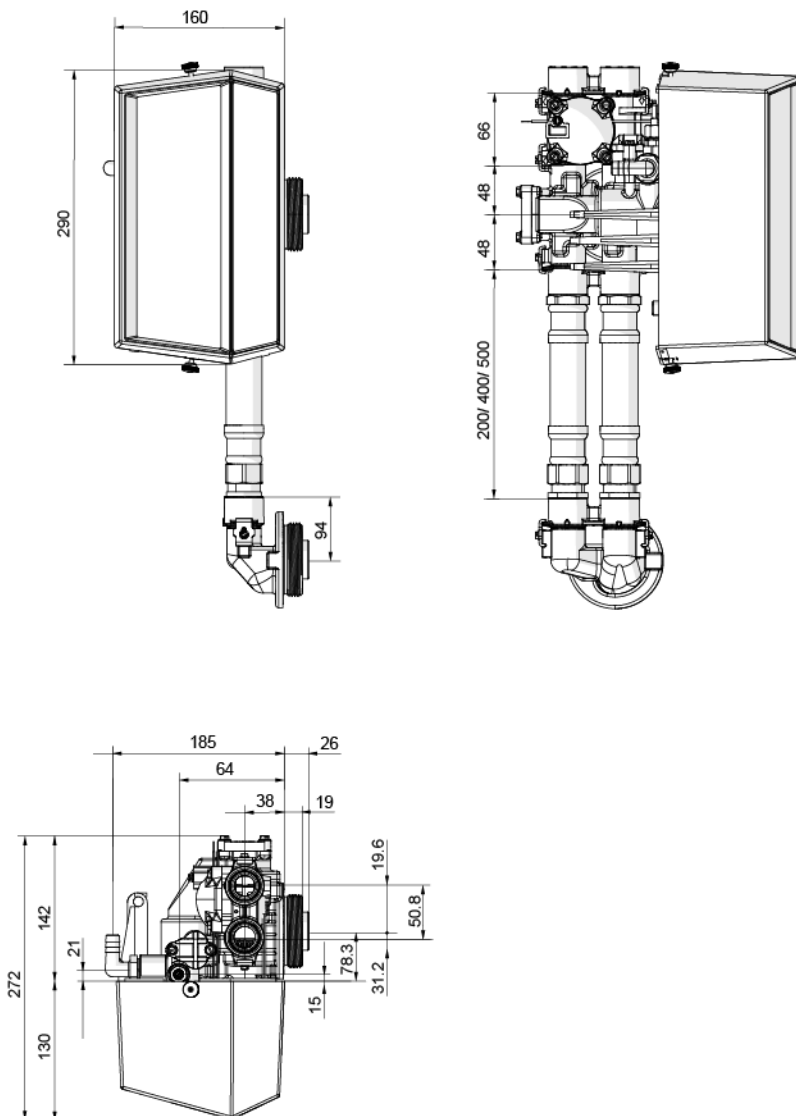
3.1.2.1 Downflow



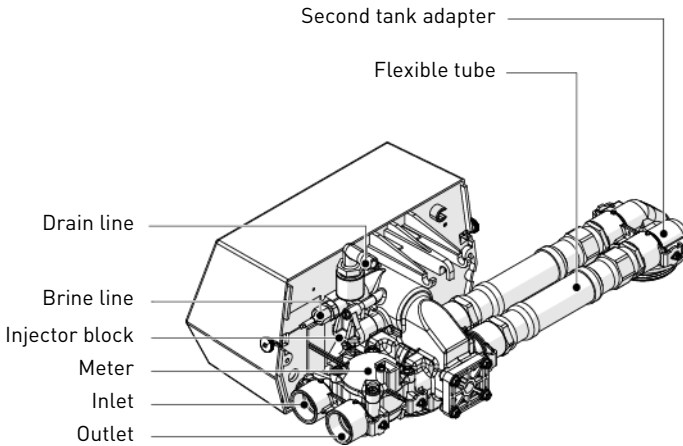
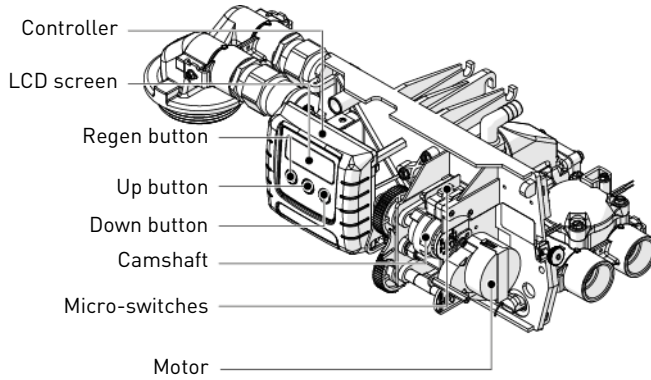
3.1.2.2 Upflow



3.2. Outline drawing



3.3. Description and components location



3.4. System regeneration cycle

**Note**

This valve allows to do down flow or up flow regenerations.

3.4.1. Downflow regeneration cycle (5-cycles operation)

Service — normal use

Untreated water is directed down through the resin bed and up through the riser tube. The hardness ions attach themselves to the resin and are removed from the raw water being exchanged on the resin beads against sodium ions. The water is conditioned as it passes through the resin bed.

Backwash — cycle C1

The flow of water is reversed by the valve and directed down the riser tube and up through the resin bed. During the backwash cycle, the bed is expanded and debris is flushed to the drain, while the media bed is remixed.

Brine draw & slow rinse — cycle C2

The controller directs water through the brine injector and brine is drawn from the brine tank. The brine is then directed down through the resin bed and up through the riser tube to the drain. The hardness ions are replaced by sodium ions and are sent to the drain. The resin is regenerated during the brine cycle. Afterwards the slow rinse phase starts.

Rapid rinse — cycle C3

The valve directs water down through the resin bed and up through the riser tube to the drain. Any residual brine is rinsed from the resin bed, while the media bed is recompact.

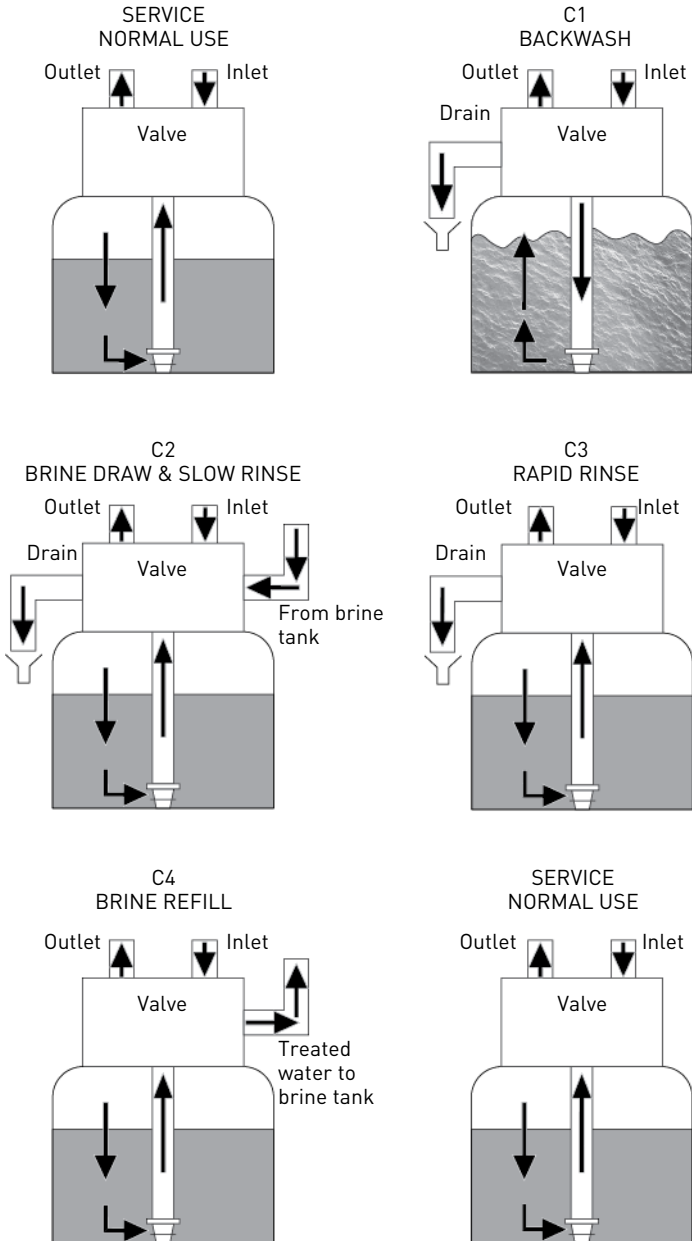
Brine tank refill — cycle C4

Water is directed to the brine tank, at a rate controlled by the refill controller [BLFC], to create brine for the next regeneration. During brine refill, treated water is sent to the brine tank.



Note

For illustration purpose only. Always verify inlet and outlet marking on the valve.



3.4.2. Upflow regeneration cycle (5-cycles operation)

Service — normal use

Untreated water is directed down through the resin bed and up through the riser tube. The hardness ions attach themselves to the resin and are removed from the raw water being exchanged on the resin beads against sodium ions. The water is conditioned as it passes through the resin bed.

Brine draw & slow rinse — cycle C1

The controller directs water through the brine injector and brine is drawn from the brine tank. The brine is then directed down through the riser tube and up through the resin bed to the drain. The hardness ions are replaced by sodium ions and are sent to the drain. The resin is regenerated during the brine cycle. Then the slow rinse phase starts.

Backwash — cycle C2

The flow of water is reversed by the valve and directed down the riser tube and up through the resin bed. During the backwash cycle, the bed is expanded and debris is flushed to the drain, while the media bed is remixed.

Rapid rinse — cycle C3

The controller valve directs water down through the resin bed and up through the riser tube to the drain. Any residual brine is rinsed from the resin bed, while the media bed is recompact.

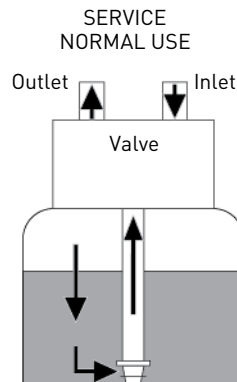
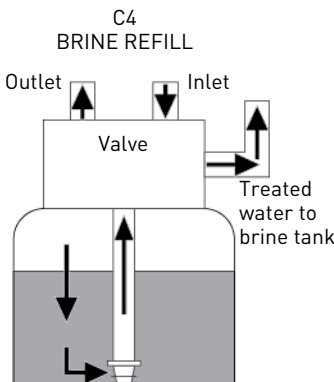
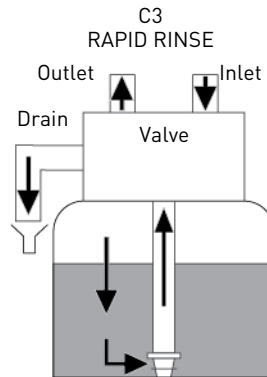
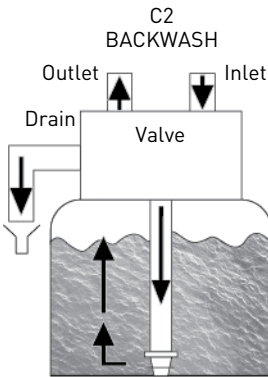
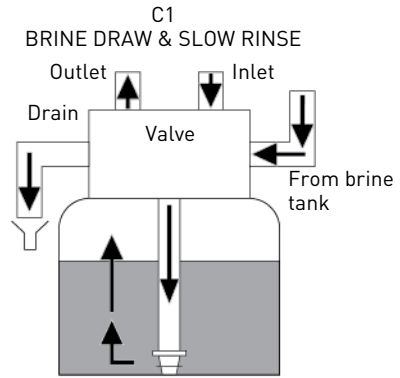
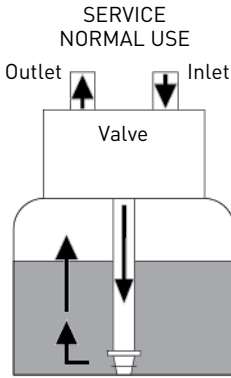
Brine tank refill — cycle C4

Water is directed to the brine tank, at a rate controlled by the refill controller [BLFC], to create brine for the next regeneration. During brine refill, treated water is sent to the brine tank.



Note

For illustration purpose only. Always check for inlet and outlet marking on the valve.



4. System sizing

4.1. Recommendations

4.1.1. Injector/DLFC/BLFC-Valve configuration

Valve type	Diam.	Connect. flexible	Resin volume	Injector				DLFC	BLFC	
	[in]			[mm]	[L]	DF	Color		UF	Color
9000	6	200	5 - 7	0	Red	0	Red	1.2	0.25	0.25
	7		8 - 14							
	8	400	9 - 21	1	White	1	White	1.5	0.50	0.50
	9		22 - 28					2		
	10		29 - 42					2.4		
	12	500	43 - 56	2	Blue	2	Blue	3.5	1.00	1.00
	13		57 - 70					4		
	14		71 - 85	3	Yellow	3	Yellow	5		
16	86 - 113		7							



Note

In upflow configuration, the injector cap is fitted with a pressure regulator set to 2 bar.

4.2. Sizing a softener (single unit)

4.2.1. Parameters to be considered

Whenever installing a softener, it is preferable to have full water analysis to ensure the inlet water content will not affect the resin bed.



Note

Please consult your resin manufacturer specifications to ensure that no additional pretreatment prior to softening is required.

The below sizing method can be applied for both residential and industrial softeners.

The sizing of a softener must be based upon certain parameters:

- inlet water hardness;
- peak flow rate and nominal flow rate;
- service velocity;
- salt dosage.

The softening and regeneration reactions are driven under certain conditions. To allow these reactions to take place, make sure that the velocity is convenient during the different phases for proper ion exchange. This velocity is given in the resin manufacturer specifications sheet.

Depending on the inlet water hardness, the service velocity for standard softening must be between:

Service velocity [bed volume per hour]	Inlet water hardness [mg/l as CaCO ₃]	°f °TH	°dH
8 - 40	<350	<35	<19.6
8 - 30	350 to 450	35 - 45	19.6 - 25.2
8 - 20	>450	>45	>25.2



Note

Failure to respect the service velocity will lead to hardness leakage or even total softener inefficiency.

Note that the water supply piping size may also be useful when estimating the nominal flow rate, since the size of the piping allows a maximum flow rate to pass. Assuming the maximum velocity of water in pipes is about 3 m/s, a good estimation for most common pressure [3 bar] and temperature [16°C] is:

Piping size (internal diameter)		Max. flow rate
[in]	[mm]	[m ³ /h at 3 m/s]
0.5	12	1.22
0.75	20	3.39
1	25	5.73

Piping size (internal diameter)		Max. flow rate
[in]	[mm]	[m ³ /h at 3 m/s]
1.25	32	8.69
1.5	40	13.57
2.0	50	21.20
2.5	63	34.2
3.0	75	49.2

4.2.2. Determining the required volume of resin

When sizing a softener, make sure that the volume of resin in the tank (bed volume) will be sufficient so that even when the peak flow rate is reached, the velocity is still between the above values depending on the hardness. When sizing a softener, always choose the resin volume and tank size based on the peak flow rate but not on the nominal flow rate.



Note

Sizing on the nominal flow rate without taking the peak flow rate into account would result in choosing smaller tank size and resin volume, and may lead in severe hardness leakage during the service cycle when the peak flow is reached.

The maximum softened water flow rate that a softener can produce is given by the following formula:

$$Q_{\text{service max}} = F_{\text{service}} \times BV$$

with:

- Q_{service max}: service flow rate [m³/h]
- F_{service}: service velocity [BV/h]
- BV: bed volume of resin [m³]

Knowing this required volume of resin, it is possible now to determine the tank you need. Note that at least a third of the total volume of the tank must be kept as free space so that the bed expansion during backwash is sufficient to ensure correct cleaning of the resin.

4.2.3. Resin exchange capacity and capacity of the unit

The resin exchange capacity and capacity of the unit are two different things that should not be confused. The resin exchange capacity is the amount of Ca^{2+} and Mg^{2+} that can be retained by 1 litre of resin, which will depend on the resin type and salt dosage, whereas the capacity of the unit is the capacity of the system, which will depend on the volume of resin and resin exchange capacity.

Knowing the required volume of resin, you can determine the exchange capacity of the unit. The capacity of the unit can be expressed in different ways:

- the mass capacity, which corresponds to the weight in equivalent CaCO_3 that can be fixed on the resin, expressed in kg as CaCO_3 ;
- the volume capacity, which represents the maximum amount of water that can be treated between 2 regenerations. This last capacity takes into account the hardness of the water to be treated and is expressed in m^3 or litres;
- the combined capacity, which represents the volume of water that could be treated between 2 regenerations if the inlet hardness is 1 °f or °dH. This capacity is expressed in °f. m^3 or °dH. m^3 .

The resin exchange capacity will depend on the amount of salt to be injected into the resin bed during the regeneration. This amount of salt is given in grams per litre of resin. The next table is showing the resin exchange capacity in function of the amount of salt for a system with standard efficiency regeneration.

Resin exchange capacity as a function of the salt dosage:

Salt amount [g/L _{resin}]	Corresponding resin exchange capacity in [g/L _{resin}] as CaCO_3	°f. m^3 [per L _{resin}]	°dH. m^3 [per L _{resin}]
50	29.9	2.99	1.67
60	34	3.4	1.9
70	37.5	3.75	2.09
80	40.6	4.06	2.27
90	43.4	4.34	2.42
100	45.9	4.59	2.56
110	48.2	4.82	2.69
120	50.2	5.02	2.8
130	52.1	5.21	2.91
140	53.8	5.38	3.01
150	55.5	5.55	3.1

Salt amount [g/L _{resin}]	Corresponding resin exchange capacity in [g/L _{resin}] as CaCO ₃	°f.m ³ [per L _{resin}]	°dH.m ³ [per L _{resin}]
170	58.5	5.85	3.27
200	62.7	6.27	3.5
230	66.9	6.69	3.74
260	71	7.1	3.97
290	75.3	7.53	4.21

To calculate the system mass capacity:

$$M_{\text{capacity}} = V_{\text{resin}} \times C_{\text{resin ex}}$$

with:
 M_{capacity}: system mass capacity [g as CaCO₃]
 V_{resin}: volume of resin [L]
 C_{resin ex}: resin exchange capacity [g/L_{resin} as CaCO₃]

To calculate the system combined capacity:

$$C_{\text{capacity}} = V_{\text{resin}} \times C_{\text{cor resin ex}}$$

with:
 C_{capacity}: system combined capacity [°f.m³ or °dH.m³]
 V_{resin}: volume of resin [L]
 C_{cor resin ex}: corresponding resin exchange capacity [°f.m³/l or °dH.m³/l]

To calculate the system volume capacity:

$$V_{\text{capacity}} = M_{\text{capacity}} / TH_{\text{inlet}}$$

or

$$V_{\text{capacity}} = C_{\text{capacity}} / TH_{\text{inlet}}$$

with:
 V_{capacity}: system volume capacity [m³]
 M_{capacity}: system mass capacity [g as CaCO₃]
 C_{capacity}: system combined capacity [°f.m³ or °dH.m³]
 TH_{inlet}: inlet water hardness [mg/L as CaCO₃ or °f or °dH]



Caution

If a mixing device is set on the valve before meter, TH = TH_{INLET} - TH_{OUTLET}.

Having determined the previous capacity allows the operator to know the service cycle duration.

4.2.4. Valve configuration

Knowing the volume of resin, tank size and specifications of the resin, it is possible to determine the required valve configuration. The resin specification will give the backwash velocity, as well as the brine draw and slow rinse velocity that must be respected in order to ensure a proper regeneration of the unit. From this data, determine the required backwash flow rate as well as the brine draw and slow rinse flow rate. In most cases, the fast rinse flow rate will be the same as the backwash flow rate, however for certain valve types the fast rinse flow rate will be the same as the service flow rate.

To determine the backwash flow rate:

$$Q_{\text{backwash}} = F_{\text{Sbackwash}} \times S$$

with:
 Q_{backwash} : backwash flow rate [m³/h]
 $F_{\text{Sbackwash}}$: backwash velocity [m/h]
 S : Tank_{cross section area} [m²]

The DLFC installed on the valve has to limit the backwash flow rate to the above calculated flow rate.

To determine the injector size:

The velocities to be respected for brine draw and slow rinse are given on the resin manufacturer specifications. Generally speaking, the injector has to allow a flow rate of about 4 BV / h (corresponding to the flow rate of brine being drawn added to the flow rate of raw water passing through the injector nozzle to create the suction effect).

$$Q_{\text{Inj}} = 4 \times \text{BV} / \text{h}$$

with:
 Q_{inj} : total flow rate passing through the injector [L/h]
 BV: bed volume of resin [L]



Note

This value does not correspond to the brine draw flow rate but to the total flow rate passing through the injector. Then refer to the injector diagrams at the inlet pressure in order to check if the injector will give a correct flow rate. See chapters 4.4.1. 1600 Injectors, page 33 and 4.4.2. 1650 Injectors, page 34.

4.2.5. Cycle time calculation

From this point, the volume of resin, the tank size, the capacity of the softener and the valve configuration are determined. Next step is to calculate the regeneration cycle duration, which depends on the valve configuration and once again on the resin specifications.



Note

Preprogrammed cycle times are only factory default programming that need to be adjusted to fit the system requirements.

For cycle time calculation the valve configuration must be known, which depends on:

- the tank size;
- the resin specifications for the velocity for backwashing the resin bed;
- the velocity of water for brine draw, slow rinse and fast rinse.

Further information needed for cycle time calculation are:

- the resin volume previously determined;
- the salt amount used per regeneration;
- the volume of water to use for backwash, brine draw, slow rinse and fast rinse.

To calculate the backwash duration:

$$T_{\text{backwash}} = (N_{\text{BVbw}} \times \text{BV}) / Q_{\text{DLFC}}$$

with:
 T_{backwash} : backwash duration [min]
 N_{BVbw} : number of bed volume for backwash
 BV: bed volume [L]
 Q_{DLFC} : drain line flow controller size [L/min]



Note

The typical value of the volume of water to be used for backwash is between 1.5 and 4 times the bed volume, depending on the inlet water quality.

To calculate the brine draw duration:

Knowing the injector draw flow rate at the working pressure:

$$T_{\text{brine draw}} = V_{\text{brine}} / Q_{\text{draw}}$$

with:

$T_{\text{brine draw}}$: brine draw duration [min]

V_{brine} : brine volume to be drawn [L]

Q_{draw} : injection draw flow rate [L/min]


Note

Multiply the amount of salt in kg by 3 to get a approximation of the brine volume to draw.

To calculate slow rinse duration:

The volume of water to be used for slow rinse is given in the resin manufacturers specifications. Generally speaking, it is advised that between 2 and 4 BV of water is used to perform the slow rinse after brine draw. The slow rinse cycle allows brine to be pushed slowly through the resin bed, allowing the resin to be in contact with brine for sufficient time and therefore to be regenerated.

Refer to the injector curve at the common working pressure to determine the slow rinse duration.

$$T_{\text{slow rinse}} = (N_{\text{BVsr}} \times \text{BV}) / Q_{\text{SR}}$$

with:

$T_{\text{slow rinse}}$: slow rinse duration [min]

N_{BVsr} : number of bed volume for slow rinse

BV: bed volume [L]

Q_{SR} : injector slow rinse flow rate [L/min]

To calculate fast rinse duration:

The fast rinse is aimed at eliminating an excess of salt in the resin bed and also recompacting the resin in the tank.

Depending on the valve type, the fast rinse flow rate is controlled by the DLFC or it has about the same flow rate as in service. The fast rinse velocity can be the same as the service velocity, and the volume of water to be used for the fast rinse is generally between 1 and 10 BV depending on the salt dosage.

$$T_{\text{fast rinse}} = (N_{\text{BVfr}} \times \text{BV}) / Q_{\text{DLFC}}$$

with:

$T_{\text{fast rinse}}$: fast rinse duration [min]

N_{BVfr} : number of bed volume for fast rinse

BV: bed volume [L]

Q_{DLFC} : drain line flow controller size [L/min]

To calculate the refill duration:

The refill flow rate is controlled by the refill controller (BLFC). The relation between the BLFC size, the tank size and the resin volume is given in the valve specifications.

To calculate the refill duration:

$$T_{\text{refill}} = V_{\text{WB}} / Q_{\text{BLFC}}$$

with:
 T_{refill} : refill duration [min]
 V_{WB} : Volume of water to be refill to prepare the brine [L]
 Q_{BLFC} : BLFC size [L/min]

$$V_{\text{WB}} = D_{\text{Salt}} \times BV / S_{\text{sol}}$$

with:
 V_{WB} : Volume of water to be refill to prepare the brine [L]
 D_{Salt} : Salt dosage per litre of resin [g/L]
 BV : Bed volume [L]
 S_{sol} : 360g/L - Solubility of salt per litre of water



Note

When calculating the time required to draw the brine, take into account that the volume of brine [V_{brine}] will be 1.125 bigger than the volume of water refilled.

4.3. Salt amount definition

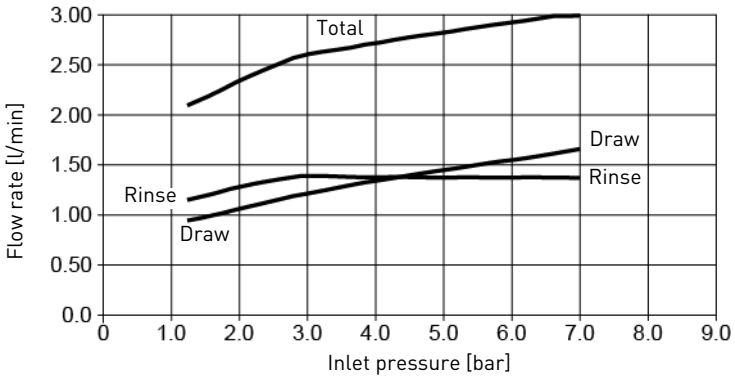
The salt setting is done through the controller programming.

4.4. Injector flow rates

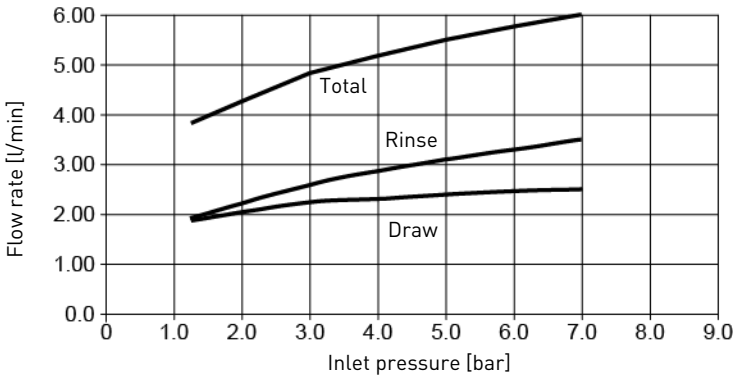
The following graphics represent the injectors flow rate as a function of the inlet pressure for the different injector sizes.

4.4.1. 1600 Injectors

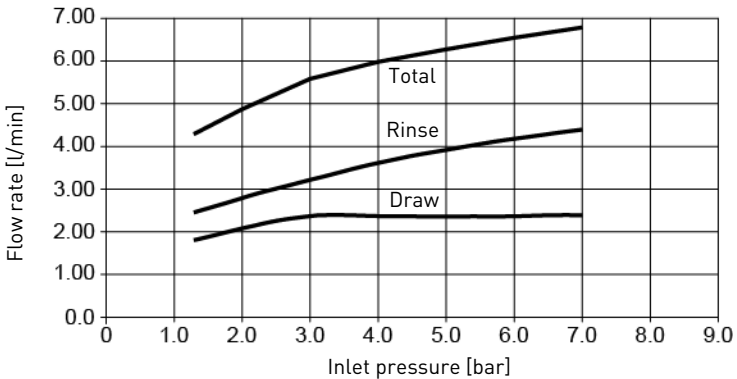
INJECTOR 0



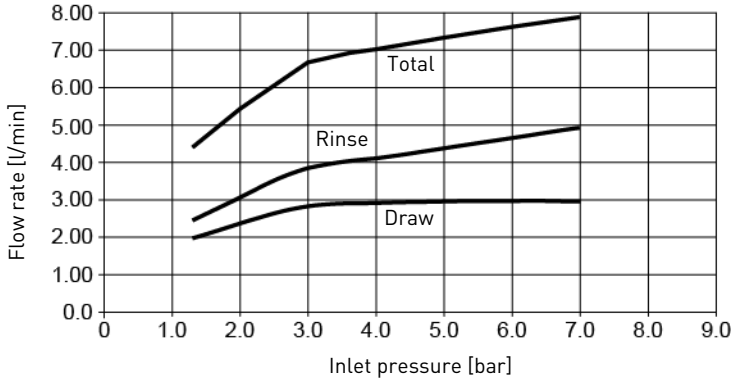
INJECTOR 1



INJECTOR 2

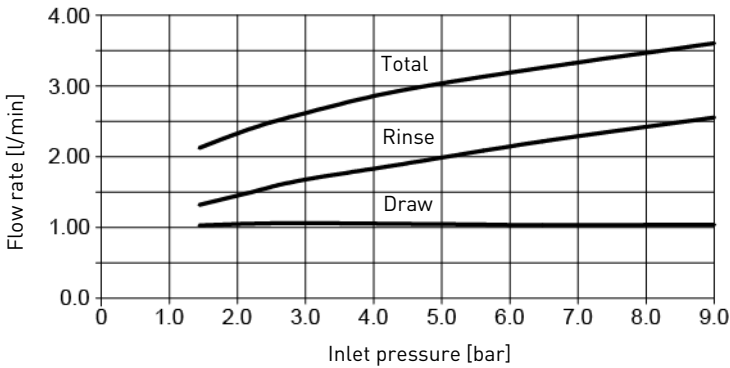


INJECTOR 3

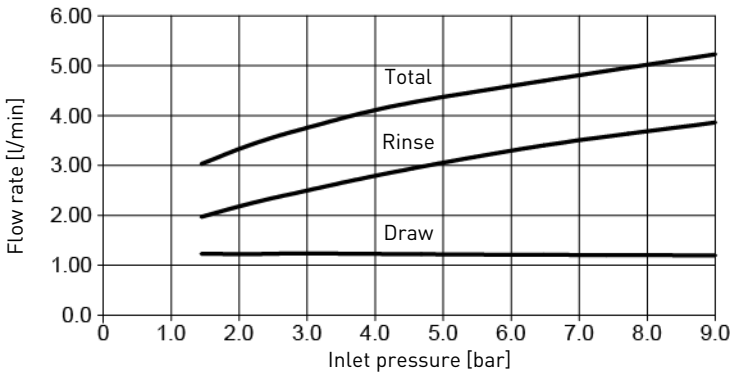


4.4.2. 1650 Injectors

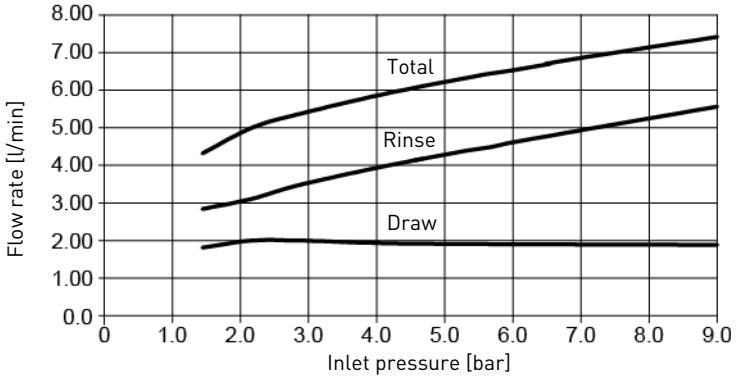
INJECTOR 0



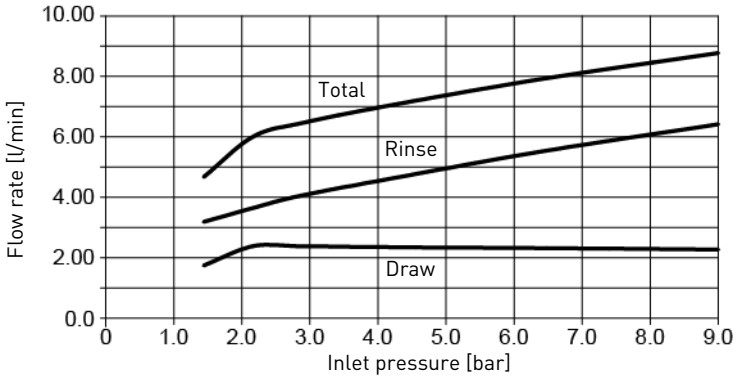
INJECTOR 1



INJECTOR 2



INJECTOR 3



5. Installation



Mandatory

It is strictly forbidden for not qualified personal, to accede to system's internal parts to perform any kind of technical action. Be sure to disconnect the electrical power, close the water inlet and depressurize the system before opening the front cover to access internal parts.

5.1. Warnings

The manufacturer will not be held liable for any damages to people or properties resulting from an improper use of the device not compliant with the following instructions.

Whenever this guide doesn't clarify all doubts about installation, service or maintenance, please contact the technical support of the company that has installed the device.

Device installation must be done by a qualified technician according to the current standards and regulations, using tools compliant with the device for a safe use and referring to that technician also for device maintenance.

In case of out of order or malfunction, before performing any kind of action on the device, please ensure to have disconnected the transformer from the power source, to shut off inlet water supply to the valve and to drain water pressure opening a tap down-line of the valve.

1. Be careful when removing the valve from the box and during subsequent handling, weight is liable to cause damage to property and persons in case of accidental impact.
2. Before sending the water on the valve, make sure that all plumbing connections are tight and properly implemented in order to avoid dangerous leaks of pressurized water.
3. Use caution when installing welded metal piping near the valve, the heat may damage the plastic body of the valve and the bypass.
4. Be careful not to let the full weight of the valve rest on fittings, pipes or bypass and vice versa.
5. Make sure that the environment in which the valve is installed does not reach water freezing temperatures, the valve may be damaged.
6. Make sure that the tank containing the resin is vertical, otherwise the resin could enter in the valve and damage it.

5.2. Safety notices for installation

- Observe all warnings that appear in this manual;
- only qualified and professional personnel are authorized to carry out installation work.

5.3. Installation environment

5.3.1. General

- Use only brine salts designed for water softening. Do not use ice melt salt, block, or rock salts;
- keep the media tank in the upright position. Do not turn on its side, upside down, or drop. Turning the tank upside down may cause media to enter the valve or plug the upper screen;
- follow State and local codes for water testing. Do not use water that is micro-biologically unsafe or of unknown quality;
- when installing the water connection (bypass or manifold) first connect to the plumbing system. Allow heated parts to cool and cemented parts to set before installing any plastic parts. Do not get primer or solvent on O-rings, nuts, or the valve.

5.3.2. Water

- Water temperature must not exceed 43°C and 65°C in case of HW;
 - a minimum of 1.4 bar (dynamic pressure on injector) of water pressure is required for the regeneration valve to operate effectively.
-



Mandatory

Do not exceed a maximum of 8.6 bar inlet pressure. Should this happen or be subject to happen, it is necessary to install a pressure regulator upstream the system.

5.3.3. Electrical

There are no user-serviceable parts in the AC/DC transformer, motor, or controller. In the event of a failure, these should be replaced.

- All electrical connections must be completed according to local codes;
 - use only the power AC/DC transformer that is supplied;
-



Mandatory

The use of any other power transformer than the one supplied void the warranty of all electronic parts of the valve.

- the power outlet must be grounded;
- to disconnect power, unplug the AC/DC transformer from its power source;
- an uninterrupted current supply is required. Please make sure that the voltage supply is compatible with the unit before installation;
- make sure the controller power source is plugged in;
- if the electrical cable is damaged, it must imperatively be replaced by qualified personnel.

5.3.4. Mechanical

- Do not use petroleum-based lubricants such as vaseline, oils, or hydrocarbon-based lubricants. Use only 100% silicone lubricants;
- all plastic connections should be hand tightened. PTFE (plumber's tape) may be used on connections that do not use an O-ring seal. Do not use pliers or pipe wrenches;
- existing plumbing should be in a good shape and free from limescale. In case of doubt, it is preferable to replace it;
- all plumbing must be completed according to local codes and installed without tension or bending stresses;
- soldering near the drain line should be done before connecting the drain line to the valve. Excessive heat will cause interior damage to the valve;
- do not use lead-based solder for sweat solder connections;
- the riser tube should be cut flush with the top of the tank. Slightly bevel the ridge in order to avoid deterioration of the seal whilst fitting the valve;
- the drain line must be a minimum of 12.7 mm [1/2"] in diameter. Use 19 mm [3/4"] pipe if the backwash flow rate is greater than 26.5 Lpm [7 gpm] or the pipe length is greater than 6 m [19 ft 8 in];
- do not support the weight of the system on the valve fittings, plumbing, or the bypass;

- it is not recommended to use sealants on the threads. Use PTFE (plumber's tape) on the threads of the drain elbow, and other NPT/BSP threads;
- the installation of a prefilter is always recommended (100µ nominal);
- valve inlet/outlet must be connected to main piping via flexible.

5.4. Integration constraints

Location of a water treatment system is important. The following conditions are required:

- flat and firm level platform or floor;
- room to access equipment for maintenance and adding brine (salt) to tank;
- constant electrical supply to operate the controller;
- total minimum pipe run to water heater of 3 m to prevent backup of hot water into system;
- always install check valve before water heater to protect the softener from hot water return;
- local drain for discharge as close as possible;
- water line connections with shut off or bypass valves;
- must meet any local and state codes for site of installation;
- valve is designed for minor plumbing misalignments. Do not support weight of system on the plumbing;
- be sure all soldered pipes are fully cooled before attaching plastic valve to the plumbing.

5.5. Valve connection to piping

The connections should be using PTFE (plumber's tape) on the threads if using the threaded connection type.

In case of heat welding (metal type connection), the connections should not be made to the valve when soldering.



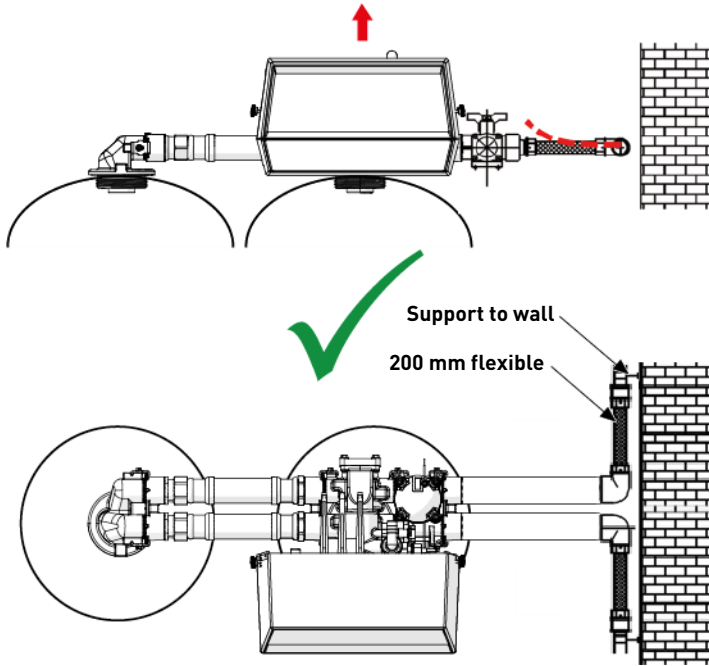
Note

See chapter 3.3. Description and components location, page 19 to identify the connections.

5.5.1. Top-mounted valve installation

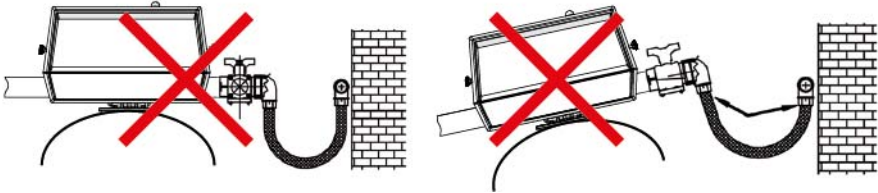
When pressurized, any composite tank will expand both vertically and circumferential. In order to compensate the vertical expansion, the piping connections to the valve must be flexible enough to avoid overstress on the valve and tank.

In addition, the valve and tank should not be supporting any part of the piping weight. This is hence compulsory to have the piping fixed to a rigid structure (e.g. frame, skid, wall...) so that the weight of it is not applying any stress on the valve and tank.



- The diagrams above illustrate how the flexible piping connection should be mounted;
- in order to adequately compensate the tank elongation the flexible piping must be installed **horizontally**;
- should the flexible piping connection be installed in vertical position, instead of compensating the elongation, it will create additional stresses on the valve & tank assembly. Therefore this is to be avoided;
- the flexible piping connection must also be installed stretched, avoiding excessive length. For instance 20 - 40 cm is enough;
- excessively long and non-stretched flexible piping connection will create stresses on the valve and tank assembly when the system is pressurized, as illustrated in the below picture: on the left the assembly when the system is unpressurized, on the right the flexible piping connection when put under pressure tends to lift up the valve when stretching up. This configuration is even more dramatic when using semi-flexible piping;

- failure to provide enough vertical compensation may lead to different kinds of damage, either on the valve thread which connects to the tank, or on the female thread connection of the tank that connects to the valve. In some cases, damage may also be seen on the valve inlet and outlet connections;

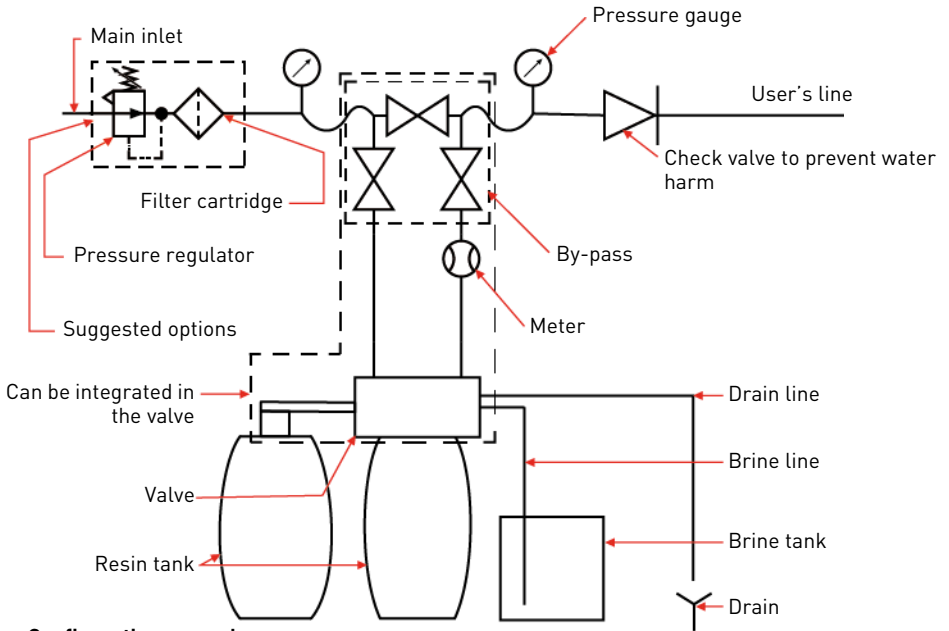


- in any case, any failure caused by improper installation and/or piping connections may void the warranty of Pentair products;
- in the same way, using lubricant* on the valve thread is not allowed and will void the warranty for the valve and tank. Indeed using lubricant there will cause the valve to be over-torqued, which may lead to valve thread or tank thread damage even if the connection to piping has been done following the above procedure.

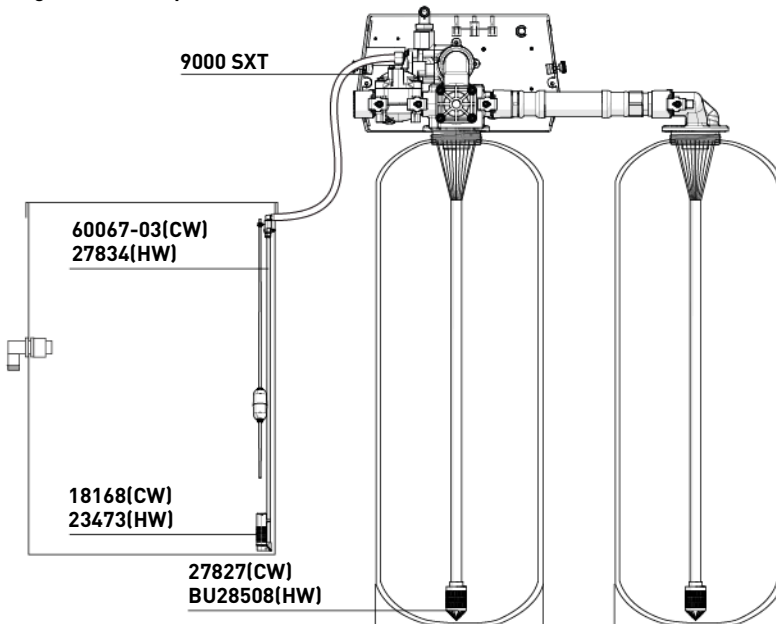
*Note: Use of petroleum-based grease and mineral based lubricant is totally forbidden, not only on the valve thread, since plastics used (especially Noryl) will highly suffer from contact with this type of grease, leading into structural damage hence to potential failures.

5.6. Block diagram and configuration example

Block diagram



Configuration example



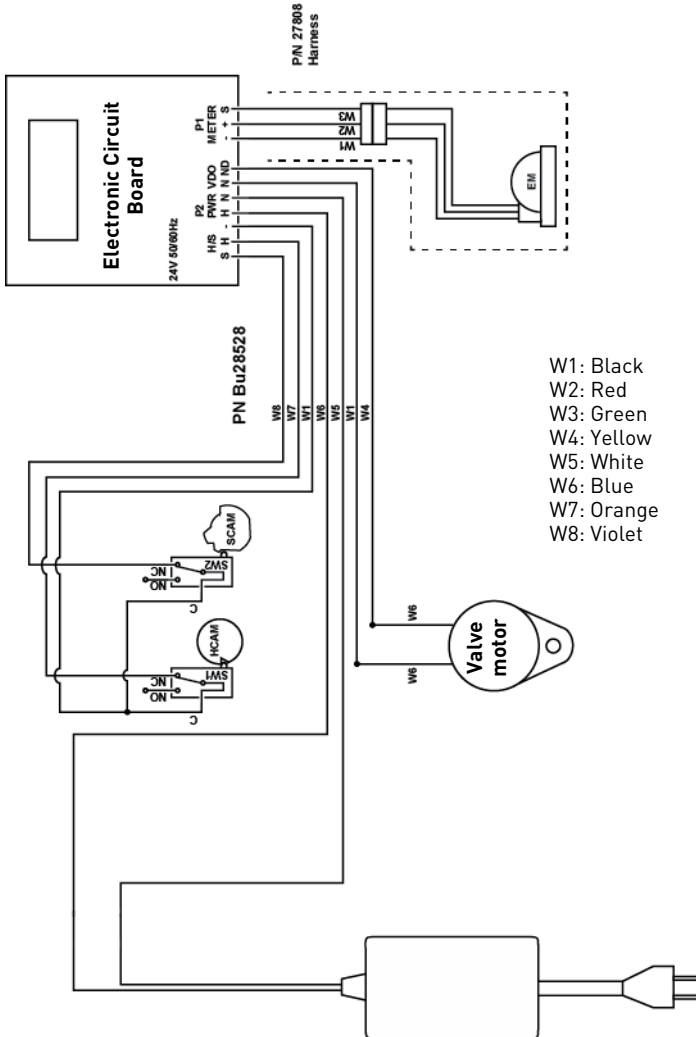
5.7. Regeneration types

Metered

The controller monitors the volume of water used. Once it calculates that there is not enough capacity for the next operation day, a regeneration cycle will be initiated immediately or at a pre-set time:

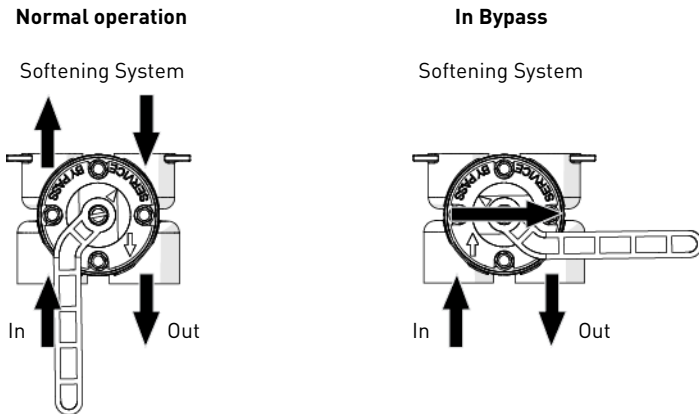
- **immediate control:** the controller measures water usage and regenerates the system as soon as the system capacity is reached;
- **delayed control:** the controller measures water usage and if the capacity is not reached until the number of days override, it regenerates the system, at the specified regeneration time.

5.8. Electrical connections



5.9. Bypassing

A bypass valve system should be installed on all water conditioning systems. Bypass valves isolate the softener from the water system and allow unconditioned water to be used. Service or routine maintenance procedures may also require that the system is bypassed.



Caution

Do not solder pipes with lead-based solder.



Caution

Do not use tools to tighten plastic fittings. Over time, stress may break the connections.



Caution

Do not use petroleum grease on gaskets when connecting bypass plumbing. Use only 100% silicone grease products when installing any plastic valve. Non-silicone grease may cause plastic components to fail over time.

5.10. Drain line connection



Note

Standard commercial practices are expressed here. Local codes may require changes to the following suggestions. Check with local authorities before installing a system.



Caution

The drain line plastic elbow must always be hand-tighten without using the elbow as a lever.



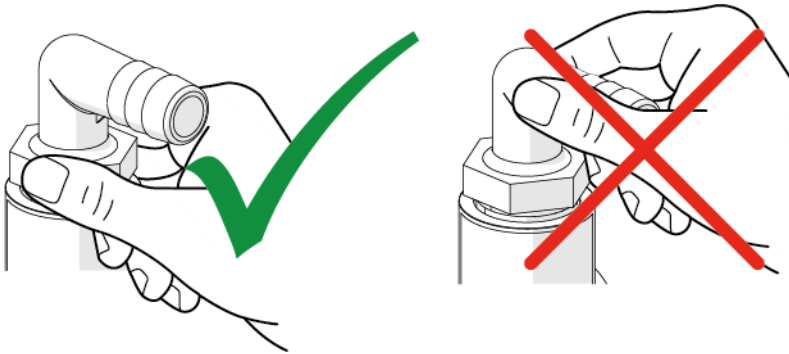
Caution

The drain plastic elbow is not designed to support the weight of the tube. The tube has to have its own support.



Caution

Do not over tighten the hose tightening ring on its plastic support.



Preferably, the unit should not be more than 6.1 m from the drain. Use an appropriate transformer fitting to connect plastic tubing to the drain line connection of the valve.

If the backwash flow rate exceeds 91 Lpm or if the unit is located 6.1-12.2 m from the drain, use 31.75 mm (1¼") tubing. Use appropriate fittings to connect the 31.75 mm (1¼") tubing to the 25.4 mm (1") NPT drain connection on the valve.

The drain line may be elevated up to 1.8 m providing the run does not exceed 4.6 m and water pressure at the softener is not less than 2.76 bar. Elevation can increase by 61 cm for each additional 0.69 bar of water pressure at the drain connector.

Where the drain line is elevated but empties into a drain below the level of the valve, form a 18 cm loop at the far end of the line so that the bottom of the loop is level with the drain line connection. This will provide an adequate siphon trap.

Where the drain empties into an overhead sewer line, a sink-type trap must be used.

Secure the end of the drain line to prevent it from moving.



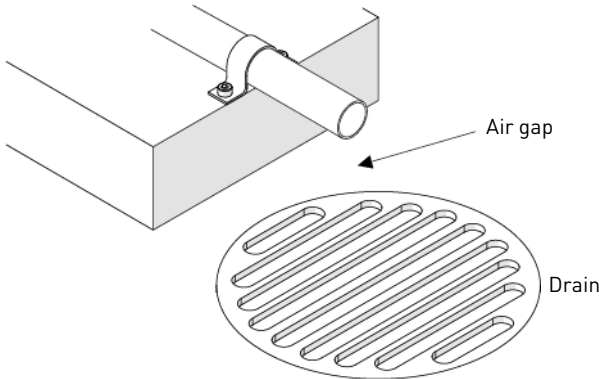
Note

Waste connections or the drain outlet shall be designed and constructed to provide connection to the sanitary waste system through an air-gap of 2 pipe diameters or 50.8 mm (2"), whichever is larger.



Caution

Never insert the drain line directly into a drain, sewer line or trap. Always allow an air gap between the drain line and the wastewater to prevent the possibility of sewage being back-siphoned into the softener.



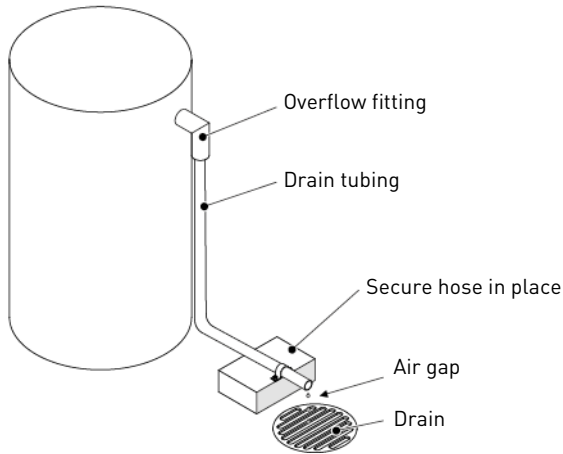
5.11. Overflow line connection

In the event of a malfunction, power failure, etc, the brine tank overflow fitting will direct "overflow" to the drain instead of spilling on the floor. This fitting should be on the side of the cabinet or brine tank. Most tank manufacturers include a post for the tank overflow connector.

To connect the overflow line, locate the hole on side of tank. Insert overflow fitting into tank and tighten with plastic thumb nut and gasket as shown below. Attach a length of 12.7 mm (1/2") I.D. tubing (not supplied) to fitting and run to drain.

Do not elevate overflow higher than overflow fitting.

Do not tie into drain line of controller unit. Overflow line must be a direct, separate line from overflow fitting to drain, sewer or tub. Allow an air gap as per drain line instructions.

**Caution**

Floor drain is always recommended to avoid flooding in case of overflow.

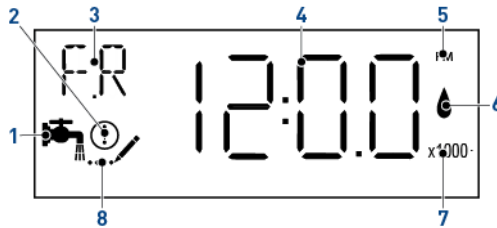
5.12. Brine line connection

The brine line from the tank connects to the valve. Make the connections and hand tighten. Be sure that the brine line is secure and free from air leaks. Even a small leak may cause the brine line to drain out, and the softener will not draw brine from the tank. This may also introduce air into the valve, causing problems with the valve operation.

Most installations utilize a tank check valve.

6. Programming

6.1. Display



- 1. Service icon → Appears in service mode;
→ Flashes if a regeneration cycle has been queued.
- 2. Error / Information icon → Appears in case of error, see page 87, or in diagnostic mode, see page 58.

3. Parameter display

Master programming and diagnostic modes:


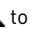

- C: unit capacity;
- CD: current day;
- CT: regeneration control type;
- DF: display format;
- Dn, n=1 to 7: day of week;
- DO: days override;
- FM: flow meter;
- FR: current flow rate;
- H: feedwater hardness;
- HR: hours in service;
- K: meter pulse;
- NT: number of tanks;
- PF: peak flow rate;
- RC: reserve capacity;
- RS: reserve selection;
- RT: regeneration time;
- SF: safety factor;
- SV: software version;
- TD: time of day;
- TS: unit in service;
- VT: regeneration mode;
- VU: volume used.

Regeneration cycles:

- B1: first backwash (for dF2b regeneration mode);
- B2: second backwash (for dF2b regeneration mode);
- BD: brine draw;
- BF: brine fill;
- BW: backwash;
- RR: rapid rinse.






- 4. Data display
- 5. PM indicator → Appears if controller set in US unit.
- 6. Flow indicator → Flashes when outlet flow is detected.
- 7. x1000 indicator → Appears when the displayed number is bigger than 9999.
- 8. Programming icon → Appears in programming modes.

6.2. Commands

- A Press  to pass to the next step.
- B Use  and  to adjust the values.

6.3. Setting the time of the day (TD)

Set the time in the system.






- A Press and hold  or  until the programming icon replaces the service icon and the parameter display reads TD.
- B Set the time with  or .
- C Press  to validate the selection and return to the service mode, or wait for 10 seconds.



6.4. Basic programming

6.4.1. Day of Override (DO)




Determine the maximum number of days of operation without regeneration.

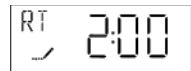
- A Press  and  simultaneously for 5 seconds to enter the menu sequence.
- B Select the number of days of Override with  and .
- C Press  to validate the selection and advance to the next parameter.



6.4.2. Regeneration time (RT)



Determine the time of regeneration.

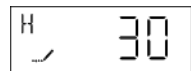
- D Adjust the regeneration time with  and .
- E Press  to validate the selection and advance to the next parameter.



6.4.3. Feed Water Hardness (H)

Determine the feed water hardness in °tH.


- F Adjust the water hardness with  and .
- G Press  to validate the selection and advance to the next parameter.



6.4.4. Reserve capacity (RC) or (SF)

Determine the reserve capacity in litre or in percentage.

H Adjust the reserve capacity with ▼ and ▲.

I Press  to validate the selection and advance to the next parameter.



6.4.5. Current day of the week (CD)

Determine the day of regeneration.



Note


Appears only if the softener is set to "weekly time clock".



Note

1 for Monday, 2 for Tuesday, 3 for Wednesday, 4 for Thursday, 5 for Friday, 6 for Saturday and 7 for Sunday.

J Adjust the day of the week with ▼ and ▲.

K Press  to validate the selection and exit the basic programming mode.



6.5. Master programming mode



Note

As soon as programming mode is entered, all parameters can be displayed or set to suit the needs. Depending on the current programming, some functions will not be displayed or will not be changeable.



Note

If no button is pressed for 5 minutes in the Programming mode (basic or master mode), or if there is a power failure, the controller returns to Service mode and changes made are not saved.



Note

Menus are displayed in a defined and incremental order.



Mandatory

In order to save the new settings in the programming mode, it is necessary to go through all the parameters.


6.5.1. Master programming mode chart

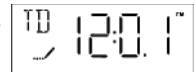
Parameter		Options	Definition	Note
DF	Display format	GAL	US units	
		Ltr	Metric units	

Parameter		Options	Definition	Note
VT	Regeneration flow	dF1b	Std DF single backwash	Standard for 9000 Twin valve
		dF2b	Std DF double backwash	
		FLtr	Filter	To be used with standard piston only.
		UFbd	UF brine first	
		UFlt	UF filter	To be used with UF piston only.
		Othr	Other	
CT	Regeneration control type	Fd	Metered delayed	
		FI	Metered immediate	Standard for 9000 Twin valve
		tc	Time clock	
		dAY	Day of the week	
NT	Number of tanks	1	Single tank system	
		2	Double tanks system	Standard for 9000 Twin valve
TS	Tank in service	U1	Tank 1 in service	Only displayed for double tanks system.
		U2	Tank 2 in service	
C	Capacity	0.1 to 9999	m ³ x °TH	
H	Feedwater hardness	1 to 1990	°TH, ppm or grains	Only displayed for volumetric regenerations.
RS	Reserve selection	SF	Safety factor	
		rc	Fixed reserve capacity	
SF	Safety factor	0 to 50	%	Only available if set in reserve selection.
RC	Fixed reserve capacity	0 to 50	%	Only displayed for volumetric regenerations and if set in reserve selection expressed in liter.
D0	Days override	0 to 99	Day	
RT	Regeneration time	00:00:00 to 23:59:59	Hour	Regeneration time will not appear unless regeneration day override is on.
B1	First backwash	0 to 199	Minute	Only displayed for dF2b regeneration flow.
B2	Second backwash			
BD	Brine draw			
BF	Brine fill			

Parameter		Options	Definition	Note
BW	Backwash	0 to 199	Minute	
RR	Rapid rinse			
Rn	Cycle number n=1 to 6			Only if "Othr" is chosen under VT . R1, R2, R3, etc... will be displayed instead.
FM	Flow meter type	P0.7	¾" paddle wheel	
		t0.7	¾" turbine	
		P1.0	1" paddle wheel	
		t1.0	1" turbine	
		P1.5	1½" paddle wheel	
		t1.5	1½" turbine	
		P2.0	2" paddle wheel	
		Gen	Generic or non-Fleck	
K	Meter pulse	0.1 to 999.9	Litre	Only displayed for generic flow meter type.

6.5.2. Entering master programming mode

- A** Press and hold ▼ or ▲ until the programming icon replaces the service icon and the parameter display reads TD.
- B** Set the time to 12:01 PM with ▼ or ▲.
- C** Press  to validate the selection and return to the service mode, or wait for 10 seconds.
- D** Press and hold ▼ and ▲ until the programming icon replaces the service icon and the display format screen appears.



6.5.3. Display format mode (DF)

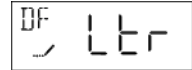
Select the unit of measure.

Options:

- GAL: U.S. Gallons and 12-Hour AM/PM;
- Ltr: litres and 24-Hour.

E Press ▼ or ▲ to select the unit.

F Press ↻ to validate the selection and move to the next parameter.



6.5.4. Regeneration mode (VT)

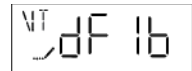
Select the regeneration mode.

Options:

- dF1b: standard downflow single backwash (standard);
- Othr: other;
- UFtr: upflow filter (for 5000 filter);
- UFbd: upflow brine first;
- FLtr: filter, to be used with standard piston only (except 5000);
- dF2b: standard downflow double backwash.

G Press ▼ or ▲ to select the regeneration flow.

H Press ↻ to validate the selection and move to the next parameter.



6.5.5. Regeneration control type (CT)

Select the regeneration controller type.

Options:

- Fd: meter delayed;
- FI: meter immediate;
- tc: time clock;
- dAY: day of the week.



Mandatory

Due to the usage of twin tanks, set regeneration control type to meter immediate.

I Press ▼ or ▲ to select **FI**.

J Press ↻ to validate the selection and move to the next parameter.



6.5.6. Valve type (NT)

Select the valve configuration.



Options:


- NT 1: single tank system;
- NT 2: double tanks system.



Mandatory

Due to the 9000 valve being designed for double tanks system only, set valve type to 2.

K Press  or  until "---2" is displayed.

L Press  to validate the selection and move to the next parameter.



6.5.7. Tank in service (TS)




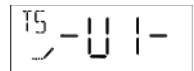
Caution

This parameter appears only if valve type (**VT**) is set to 2. If it does not appear, the 9000 valve being a double tanks system, go back to valve type (**VT**) and set it to 2.

Select which of the two tanks is in service.

M Press  or  to select which tank is in service.

N Press  to validate the selection and move to the next parameter.



6.5.8. Unit capacity (C)

Set the unit capacity.



Note

The unit capacity parameter is only available if the controller type has been programmed for volumetric regeneration.





Mandatory


Enter the capacity of the media bed in m³ x °TH or g as CaCO₃ for softener system (C is displayed in the upper left corner) or in litres for filter (V is displayed in the upper left corner).

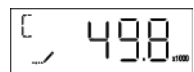


Note

The unit capacity can be set from 0.1 to 9999 x 1000 °TH*m³, g as CaCO₃ equivalent or in grains if DF=GAL.

O Press  or  to select the unit capacity.

P Press  to validate the selection and to move the next parameter.



6.5.9. Feedwater hardness (H)

Set the feedwater hardness.



Note

The feedwater hardness parameter is only available if the controller type has been programmed for volumetric regeneration.



Mandatory

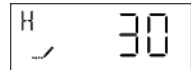
Enter the feedwater hardness in °TH, ppm or grains of hardness for softener system.



Note

The feedwater hardness can be set from 1 to 1990 °TH, ppm, or grains.

Q Press ▼ or ▲ to set the feedwater hardness in accordance with display format (DF), see chapter 6.5.3.



R Press ↻ to validate the selection and to move the next parameter.

6.5.10. Reserve selection (RS)



Note

This parameter is not useful due to regeneration control type (CT) set to FI.

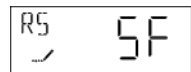
Set the reserve type.

Options:

- SF: safety factor;
- rc: fixed reserve capacity.

S Press ▼ or ▲ to set the reserve type.

T Press ↻ to validate the selection and move to the next parameter.



6.5.10.1 Safety factor (SF)



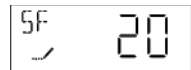
Note

This parameter is not shown if RS is set to rc.

The safety factor can be set from 0 to 50% of the initial volumetric capacity.

U Press ▼ or ▲ to set the safety factor.

V Press ↻ to validate the selection and move to the next parameter.





6.5.10.2 Reserve capacity (RC)




Note

This parameter is not shown if **RS** is set to **SF**.

The fixed reserve capacity can be set up to a volume equivalent to 50% of the initial volumetric capacity.

W Press  or  to set the reserve capacity.

X Press  to validate the selection and move to the next parameter.



6.5.11. Days override (DO)

Set the maximum number of days between regeneration cycles.



Note

This parameter allows to set the maximum amount of days that the system can stay in service mode without a regeneration.



Note

In time clock mode the setting of this parameter is mandatory and the electronic will need at least one regeneration day activated.





Note


Setting the parameter to "OFF" disables this function.

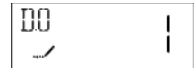


Note

The number of days can be set from OFF, or 1 to 99 days.

Y Press  or  to set the days override.

Z Press  to validate the selection and move to the next parameter.





6.5.12. Regeneration time (RT)


Set the regeneration time.

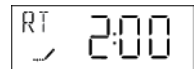


Note

Regeneration time is the time of the day when regenerations occur for delayed regeneration of any type and calendar override regeneration.

AA Press  or  to set the regeneration time.

AB Press  to validate the selection and move to the next parameter.



6.5.13. Regeneration cycle step duration

Set the duration in minutes of each regeneration cycle.



Note

Setting a cycle step to 0 will cause the controller to skip that step during regeneration, but keeps the following steps available.



Note

The different regeneration cycles are listed in sequence based on the regeneration flow selected for the system.



Note

All cycles can be set from 0 to 199 minutes.

6.5.13.1 Regeneration abbreviations

B1: first backwash

BF: brine fill

B2: second backwash

BW: backwash

BD: brine draw

RR: rapid rinse

6.5.13.2 For pre-set regeneration cycles

AC Press or to set the regeneration time.

AD Press to validate the selection and move to the next parameter.



6.5.13.3 For regeneration type Other



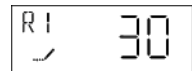
Note

The regeneration cycles are identified as R1 to R6.

AE Press or to set the regeneration time of this cycle.

AF Press to validate the selection and move to the next regeneration cycle.

AG Repeat **AB** and **AC** for each cycle.



6.5.14. Flow meter type (FM)

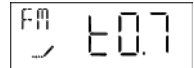
Select the flow meter type.

Options:

- P0.7: ¾" paddle wheel meter (Standard setting for 9000 SXT);
- t0.7: ¾" turbine meter;
- P1.0: 1" paddle wheel meter;
- t1.0: 1" turbine meter;
- P1.5: 1½" paddle wheel meter;
- t1.5: 1½" turbine meter;
- P2.0: 2" paddle wheel meter;
- Gen: generic or other non-Fleck meter.

AH Press ▼ or ▲ to select the flow meter type.

AI Press ↻ to validate the selection and move to the next parameter or exit master programming mode and save modifications done.



6.5.15. Meter pulse

Set the meter pulse for a non-standard flow meter.

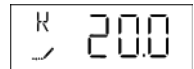


Note

The meter pulse parameter is only available if the Gen option has been set in flow meter type selection.

AJ Press ▼ or ▲ to set the meter constant in pulses per unit of volume.

AK Press ↻ to validate the selection and to exit the master programming mode.




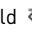



6.6. Diagnostic



Note

If none of the buttons are pushed for 1 minute in the diagnostic mode the controller returns to Service mode.

6.6.1. Commands

- A Press and hold  and  for five seconds to enter the diagnostic mode.
- B Press  or  to navigate in the diagnostic mode.
- C Press  to exit the Diagnostic mode at any time.

6.6.2. Current flow rate (FR)



Note

The display is updated every second.

- A Current flow rate display (L/min or gpm depending on display format programmed):



6.6.3. Peak flow rate (PF)



Note

The controller registers the highest flow rate (L/min) since the last regeneration.

- B Peak flow rate display:



6.6.4. Hours since last regeneration (HR)



Note

Shows the number of hours since the last regeneration, indicating the length of the current service cycle.

- C Hours since last regeneration display:



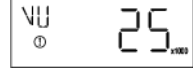
6.6.5. Volume since last regeneration (VU)



Note

Shows the volume used since the last regeneration (L).

- D Volume since last regeneration display (L or Gal depending on display format programmed):



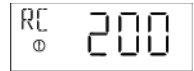
6.6.6. Reserve capacity (RC)



Note

Shows the remaining reserve volume until next regeneration (L).

- E Volume until next regeneration display (L or Gal depending on display format programmed):



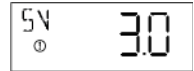
6.6.7. Software version (SV)



Note

Shows the version of the software used by the controller.

- F Software version display:



6.7. Resetting the controller



Note



There are two methods to reset.

6.7.1. Soft reset (SR)



Caution

All the parameters are set to default values, except volume remaining in volumetric systems and days since last regeneration in time clock systems.


- A Press and hold  and  for 25 seconds while in normal service mode until **SR** is displayed.



6.7.2. Hard reset (HR)

**Caution**

All the parameters are set to default values.

- A** Hold  while powering up the unit.
- B** The display shows **HR**.
- C** Reprogram all parameters in Master programming mode.



7. Commissioning



Note

This chapter is available for standard regeneration types. Contact your supplier if the actual regeneration is not standard and if you need assistance.

7.1. Water filling, draining and waterproofness inspection

7.1.1. Activating the softener

- A** With the bypass still in Bypass position (inlet and outlet of the valve closed), plug in the SXT controller to the power source.
- B** Proceed to programming according to your system specification if not done yet.
- C** Start a manual regeneration by pressing the regen button for 5 seconds. The piston will move into backwash position. If the first cycle is not backwash, quick cycle the valve until the piston is in backwash position. Once in this position, unplug the SXT controller from the power source.
- D** With the bypass still in bypass position, put the bypass slowly in service position.
- E** Open the nearest faucet close to the system.
The valve and tank will slowly get filled with raw water, allowing air to be purged by the drain and/or by the open faucet next to the system. Open the inlet progressively until fully open position.
- F** Once the drain runs clear and the bypass valve is fully in service position, plug in again the SXT controller to the power source.
- G** Push on the regen button once to move the piston to the next regeneration cycle position. Leave the valve 1 minute in each positions and move to the next one, until RF (brine refill cycle) is displayed. When RF is displayed, let the valve run the entire cycle and check the level of water in the brine tank or cabinet. The level of water in the brine tank should be about 5 cm above the salt platform. You may want to mark the level on the brine tank as this can be used as an indicator for the future lifetime of the softener.
- H** Once RF is completed, the valve will automatically go back into service position (unless non-standard regen sequence is programmed). Start again a manual regeneration by pressing for 5 seconds on the regen button. The valve will move to backwash position.
- I** Press the regen button once to move to brine draw position. Check to see in the brine tank is the water level decrease.
- J** Once the draw function is observed and confirmed (level of water in the brine tank or cabinet has decreased), you may go through each cycle pushing on the regen button until RF, leave the water come back to the 'full' level, and then push on the regen button so that the valve returns into service position.
- K** Repeat **B** to **J** for the second tank.
- L** Slowly open the outlet manual valve, and close the bypass manual valve. The system is now in service.
- M** Close the faucet opened on step **E**.

- N** Fill the brine tank or cabinet with salt. You may want to mark the level of water in the brine tank/cabinet when completely refilled with water and full of salt. In the future, after each regeneration, you can visually control that the quantity of water refilled should be between the 2 marks done. Marking are optional, but may allow to visually detect any irregularity during regeneration that may lead to softener inefficiency.
- O** With the brine tank completely refilled and full of salt, adjust the safety brine valve in the brine well. Make sure the overflow elbow is installed above the float level.
- P** After the softener has been running a few minutes in service, proceed to hardness test on outlet water to make sure the water is treated as per requirements.

The system is ready and in service

7.2. Sanitization

7.2.1. Disinfection of water softeners

The materials of construction of the modern water softener will not support bacterial growth, nor will these materials contaminate a water supply. In addition, during normal use, a softener may become polluted with organic matter, or in some cases with bacteria from the water supply. This may result in an off-taste or odor in the water.

Thus, your softener may need to be disinfected after installation. Some softeners will require periodic disinfection during their normal lifetime. Consult your installing dealer for more information on disinfecting your softener.

Depending on the conditions of use, the softener type, the type of ion exchanger, and the disinfectant available, a choice can be made among the following methods.

7.2.2. Sodium or calcium hypochlorite

These materials are satisfactory for use with polystyrene resins, synthetic gel zeolite, greensand and bentonites.

5.25% Sodium hypochlorite

If stronger solutions are used, such as those sold for commercial laundries, adjust the dosage accordingly.

Dosage

Polystyrene resin: set 1.25 mL fluid per 1 L of resin.

Non-resinous exchangers: set 0.85 mL fluid per 1 L.

Brine tank softeners

Backwash the softener and add the required amount of hypochlorite solution to the well of the brine tank. The brine tank should have water in it to permit the solution to be carried into the softener.

Proceed with the normal regeneration.

Calcium hypochlorite

Calcium hypochlorite, 70% available chlorine, is available in several forms including tablets and granules. These solid materials may be used directly without dissolving before use.

Do not let the disinfectant stand for more than 3 hours in the brine tank before the regeneration start.

Dosage

Measure two grains ~ 0.11 mL for 1 L.

Brine tank softeners

Backwash the softener and add the required amount of hypochlorite to the well of the brine tank. The brine tank should have water in it to permit the chlorine solution to be carried into the softener.

Proceed with the normal regeneration.

7.2.3. Electro chlorination

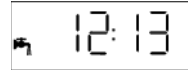
Valves or systems already equipped with an electrochlorinator device or system will be sanitized during the brine draw phase.

8. Operation

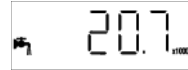
8.1. Display during operation

Examples:

- valve in service with day time:



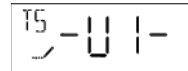
- valve in service with volume remaining before regeneration:



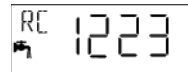
- remaining days before next regeneration:



- tank in service:




- in volumetric regeneration mode, reserve 1223 litres remaining:



- in volumetric regeneration mode, exhausted reserve, immediate or delayed start in regeneration depending on the adjustment:



Note

In delayed volumetric mode, the icon  flashes as soon as the reserve begins to be used.

8.1.1. During regeneration

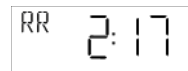
During a regeneration the display shows the current cycle step and the time remaining for that cycle. The countdown for the time remaining starts only when the valve is in the cycle displayed.

Examples:

- valve going to rapid rinse. **RR** are flashing:



- rapid rinse cycle, 2 min 17 sec. left:



8.2. Recommendations

- Use only regeneration salts designed for water softening upon regulation EN973;
- for optimal system operation, the use of clean salt and impurities free is recommended (for example salt pellets);
- the sanitizing process (both with liquid and electrochlorination) may introduce chlorine compounds which may reduce the lifetime of the ion exchange resins. Refer to the technical guides for resins in common use, providing necessary checks on the system.

8.3. Manual regeneration



Mandatory

The controller must be in service in order to enable this procedure.


8.3.1. Manual delayed regeneration




Note

This option is not available in mode **FI**.

8.3.2. Immediate regeneration

- A** Press and hold  for 5 seconds to initiate immediate manual regeneration regardless from the programmed regeneration control type.

8.3.3. To advance regeneration cycles

- A** Press  to pass to the next regeneration cycle.

8.4. Operation during a power failure

- Current valve position, cycle step time elapsed, and time of day is stored 24 hours during a power failure, and will be restored upon power restoration;
 - in regeneration, when power is shutting down, the controller saves the current regeneration data. When power is restored, the controller resume the regeneration cycle at the point where power failed;
-



Caution

Without power, the valve stay in its current position. The system should include all required safety components to prevent overflows.

- all the program settings are stored in a permanent memory;
- time is kept during a power failure and the time of day is adjusted upon restoration of the power (as long as the power is restored within 24 hours);
- the time of day on the main display screen will flash when there has been a power failure;
- the flashing of the time of day can be stopped by pressing any button on the display.

9. Maintenance



Mandatory

Cleaning and maintenance shall take place at regular intervals in order to guarantee the proper functioning of the complete system, and be documented in the Maintenance chapter in the User Guide document.



Mandatory

The maintenance must be done by a professional certified by Pentair, otherwise the warranty will void.

9.1. Recommendations

9.1.1. Use original spare parts



Caution

To ensure correct operation and safety of the device, only use original spare parts and accessories recommended by the manufacturer.

Usage of non-genuine spare parts void all warranties.

Parts to keep in stock for potential replacements are the pistons, S&S kit, injectors, micro-switches and motors. Refer to maintenance sheet.

9.1.2. Use original approved lubricants

- Dow Corning #7 Release Agent.


9.1.3. Maintenance instructions

- Disinfect and clean the system at least once a year or if the treated water has an off-taste or an unusual odor;
- perform a hardness test every year of both inlet and treated water.

9.2. Cleaning and maintenance

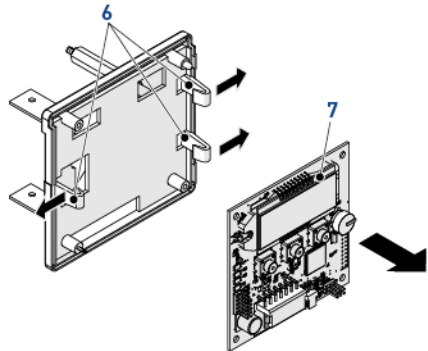
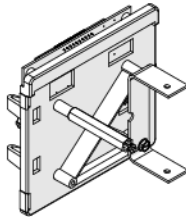
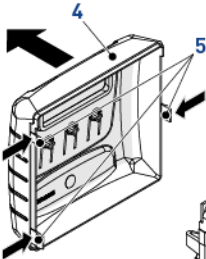
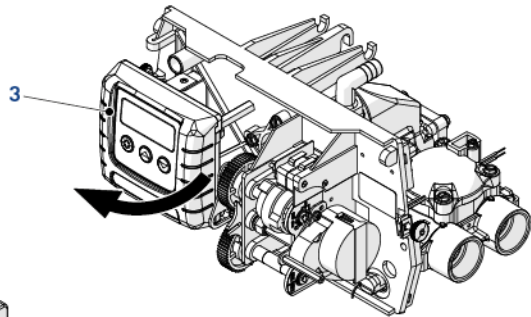
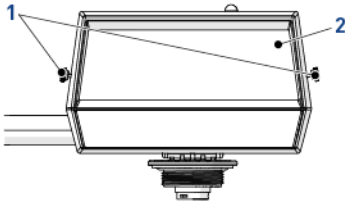
9.2.1. First steps

Before any cleaning or maintenance procedure, complete the following steps:


No.	Operation
	Caution These operations need to be performed before any cleaning or maintenance procedure.
A	Unplug the wall-mounted transformer.
B	Shut off water supply or put bypass valve(s) into bypass position.
C	Relieve system pressure before performing any operations.

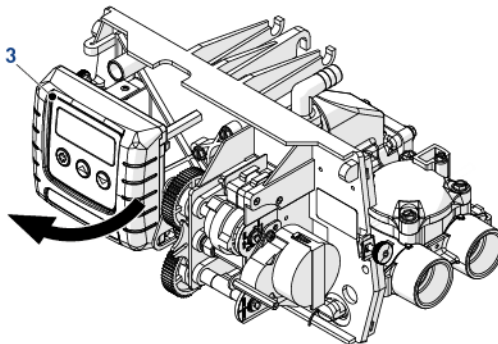
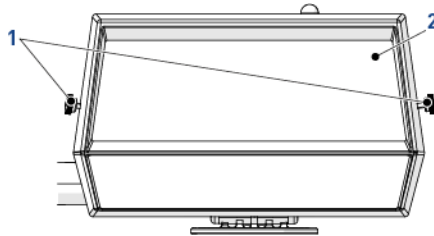
9.2.2. Controller replacement

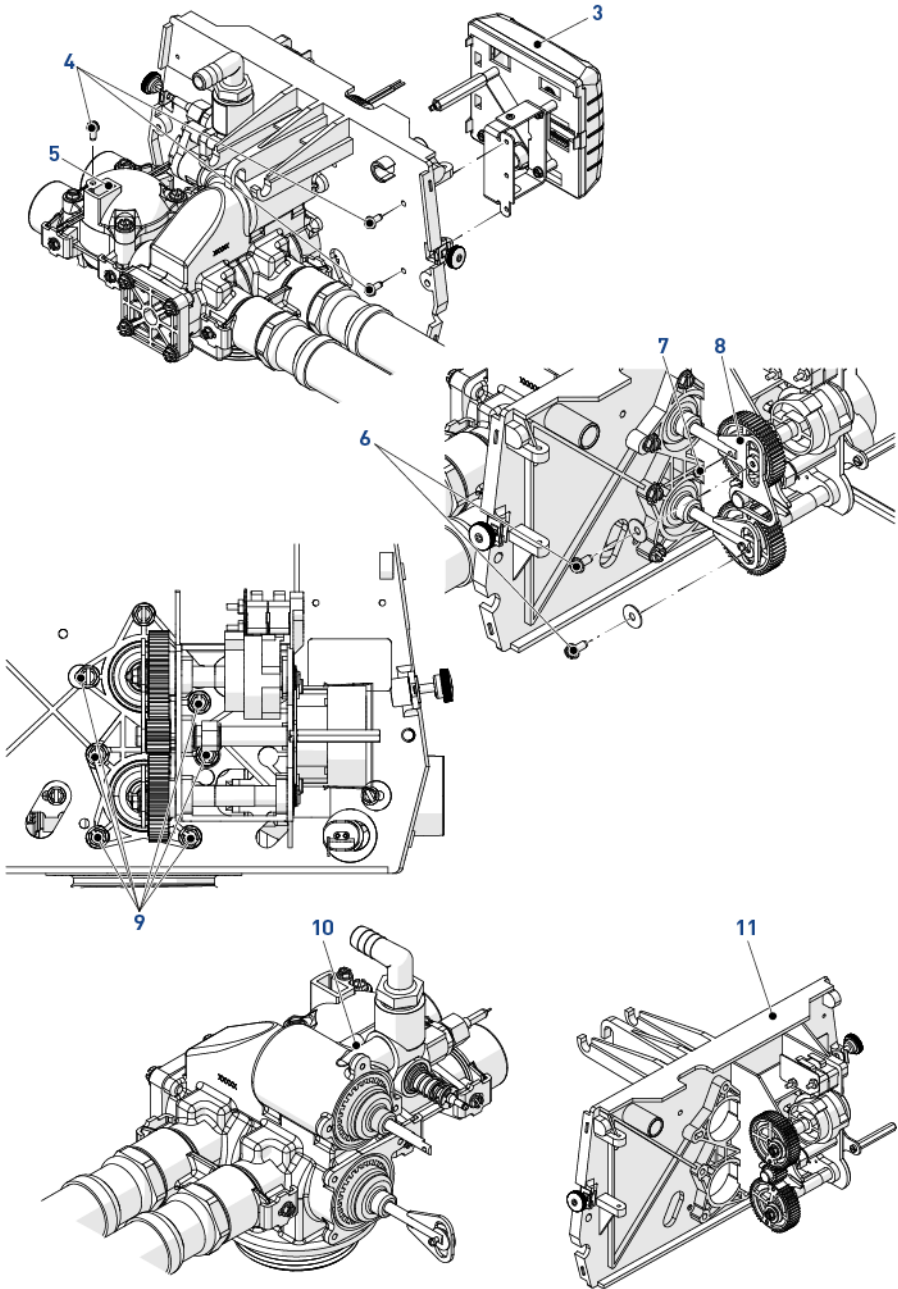
No.	Operation
A	Loosen the wheels (1) and open the valve cover (2).
B	Push the controller (3).
C	Press the controller clips (5) and open the controller cover (4).
D	Disconnect the old controller (7) and remove it opening the card clips (6).
E	Connect the new controller, see 5.8. Electrical connections, page 42.
F	Reverse above procedure steps to rebuild.



9.2.3. Power head disassembly/replacement

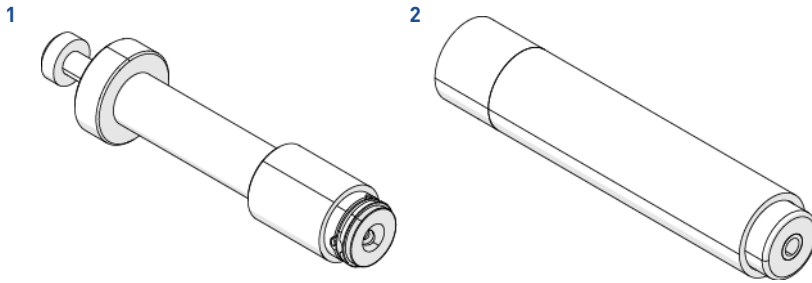
No.	Operation
A	Loosen the wheels (1) and open the valve cover (2).
B	Push the controller (3).
C	Using a 7 mm wrench or flat screwdriver, unscrew (4) to free the meter cable (5) and the controller (3).
D	Using a 7 mm wrench or flat screwdriver, unlock the pistons from the screws (6).
E	Using a flat screwdriver, remove (7) and free the upper piston plate (8).
F	Using a 8 mm wrench or flat screwdriver, unscrew (9).
G	Separate the backplate (11) from the valve body (10).
H	Change the backplate (11).
I	Reverse above procedure steps to rebuild.
 Tip	These operations need to be performed before any cleaning or maintenance procedure.





9.2.4. Piston and/or seal and spacer kit replacement

9.2.4.1 Special tools needed



Item	Part number	Description	Packaging quantity
1	13061	Puller	1
2	11098	Stuffer	1

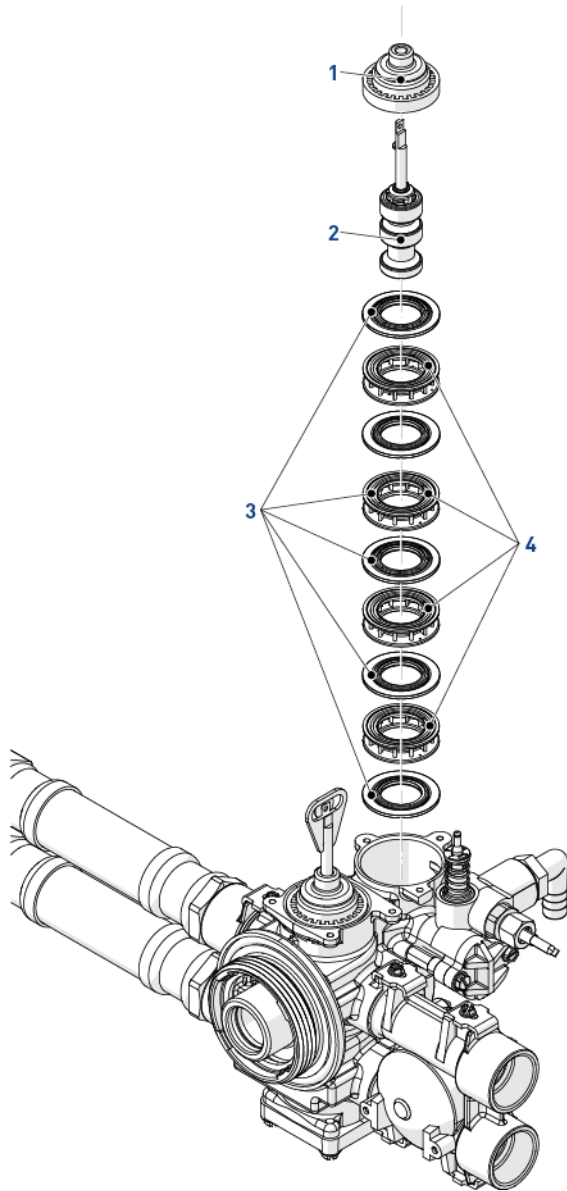
9.2.4.2 Upper piston and/or seal and spacer kit replacement



Caution

Use only approved silicone grease or soapy water.

No.	Operation
A	Remove the power head, see "Power head disassembly/replacement", page 68.
B	Using pliers, remove the piston (2) .
C	Remove the cover cup (1) from the piston (2) .
D	Using a small hook, remove a seal (3) .
E	Using the puller, remove a spacer (4) .
F	Repeat D and E for all the seals and spacers.
G	Lubricate all seals (3) with approved lubricant only.
H	Put back a new seal (3) using the stuffer.
I	Put back a spacer (4) using the stuffer.
J	Repeat H and I for all the seals and spacers.
K	Lubricate the piston (2) with approved lubricant only.
L	Put back the piston (2) .
M	Put back the cover cup (1) .
N	Rebuild the power head, see "Power head disassembly/replacement", page 68.



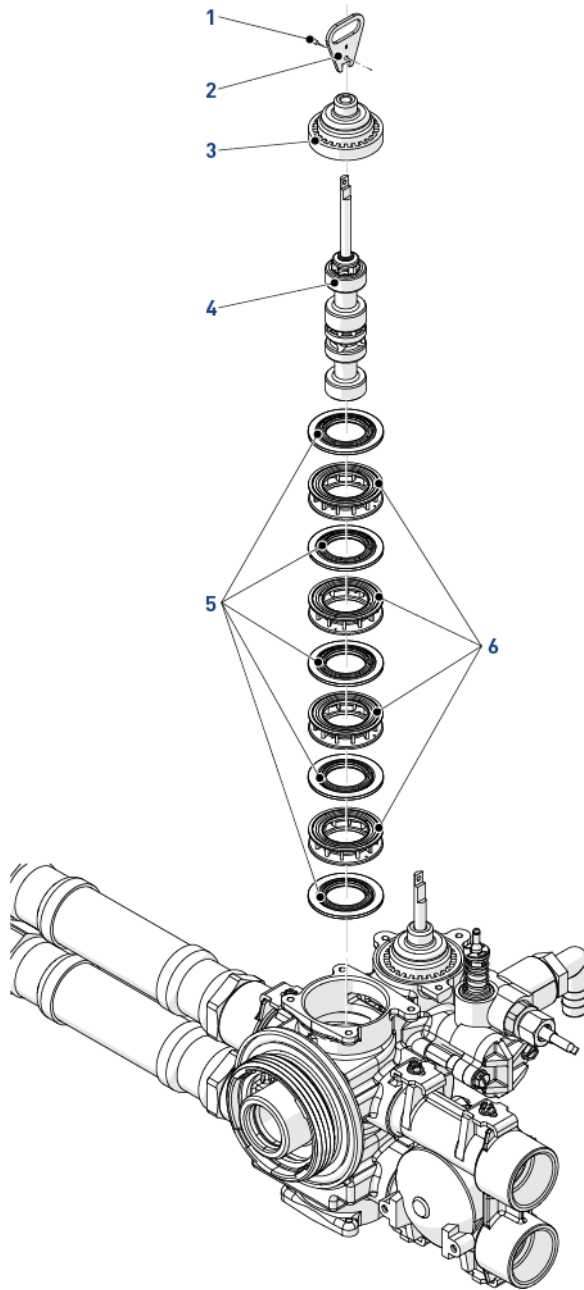
9.2.4.3 Lower piston and/or front side seal and spacer kit replacement



Caution

Use only approved silicone grease or soapy water.

No.	Operation
A	Remove the power head, see "Power head disassembly/replacement", page 68.
B	Using pliers, remove the piston (4).
C	Remove the screw (1) and the piston plate (2).
D	Remove the cover cup (3) from the piston (4).
E	Using a small hook, remove a seal (5).
F	Using the puller, remove a spacer (6).
G	Repeat E and F for all the seals and spacers.
H	Lubricate all seals (5) with approved lubricant only.
I	Put back a new seal (5) using the stuffer.
J	Put back a spacer (6) using the stuffer.
K	Repeat I and J for all the seals and spacers.
L	Lubricate the piston (4) with approved lubricant only.
M	Put back the piston (4).
N	Put back the cover cup (3).
O	Put back the piston plate (2) and the screw (1).
P	Rebuild the power head, see "Power head disassembly/replacement", page 68.



9.2.4.4 Back side seal and spacer cartridge replacement
Valve produced before November 2009



Note

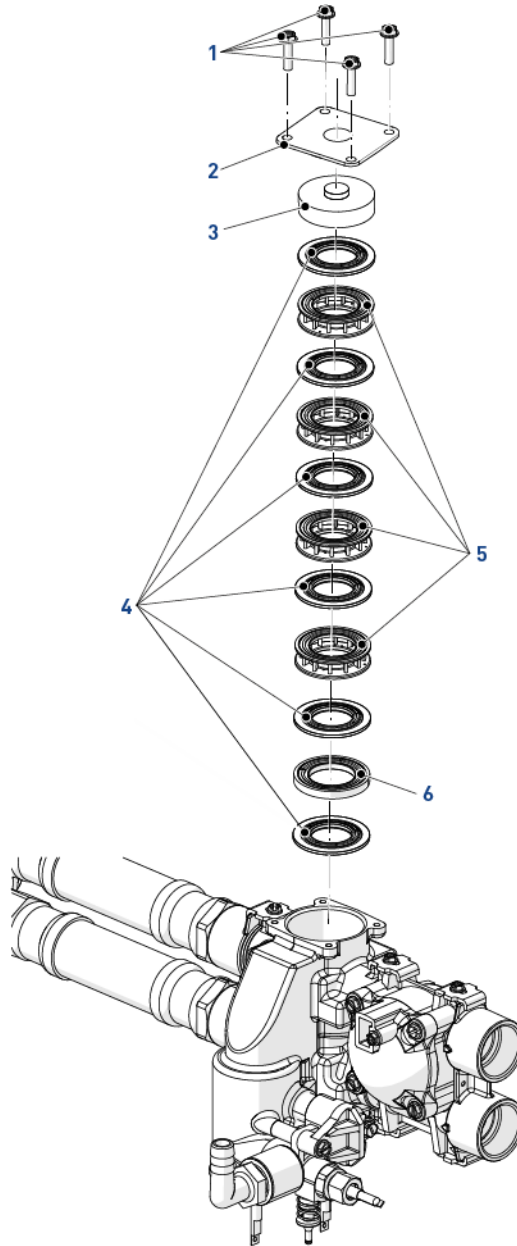
The seal & spacer cartridge for downflow and upflow are different.



Caution

Use only approved silicone grease or soapy water.

No.	Operation
A	Remove the lower piston, see “Lower piston and/or front side seal and spacer kit replacement”, page 72.
B	Using a 8 mm wrench or flat screwdriver, unscrew (1) and remove the end cap (2) .
C	Remove the sub end plug (3) .
D	Using a small hook, remove a seal (4) .
E	Using the puller, remove a spacer (5) .
F	Repeat D and E for all the seals and spacers.
G	Lubricate all seals (4) with approved lubricant only.
H	Put back a new seal (4) using the stuffer.
I	Put back the new plain spacer (6) using the stuffer.
J	Put back a new seal (4) using the stuffer.
K	Put back a new spacer (5) using the stuffer.
L	Repeat J and K for all the seals and spacers.
M	Put back the sub end plug (3) .
N	Put back the end cap (2) and screw (1) using a 8 mm wrench or flat screwdriver.
O	Put back the lower piston, see “Lower piston and/or front side seal and spacer kit replacement”, page 72.



Valve produced from November 2009 until April 2015



Note

One of the seals contained in the cartridge will not be used for downflow.



Caution

For downflow, using this extra seal may damage the valve and its components.



Note

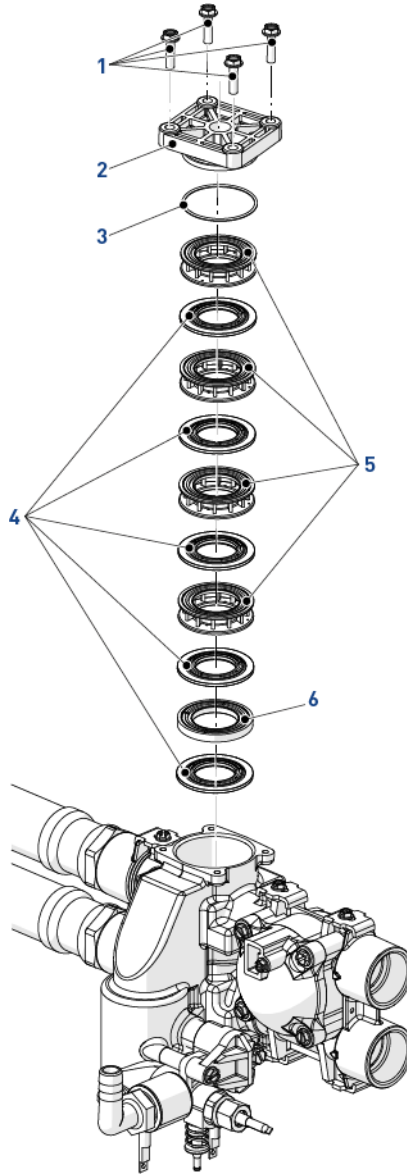
The seal & spacer cartridge for downflow and upflow are different. Upflow valves still have the two pieces end cap and requires all the seals.



Caution

Use only approved silicone grease or soapy water.

No.	Operation
A	Remove the lower piston, see "Lower piston and/or front side seal and spacer kit replacement", page 72.
B	Using a 8 mm wrench or flat screwdriver, unscrew (1) and remove the end cap (2) {PN BR42278}.
C	Using the puller, remove a spacer (5) .
D	Using a small hook, remove a seal (4) .
E	Repeat C and D for all the seals and spacers.
F	Lubricate all seals (4) with approved lubricant only.
G	Put back a new seal (4) using the stuffer.
H	Put back the new plain spacer (6) using the stuffer.
I	Put back a new seal (4) using the stuffer.
J	Put back a new spacer (5) using the stuffer.
K	Repeat I and J for all the seals and spacers.
L	Lubricate the end cap o-ring (3) .
M	Put back the end cap (2) and screw (1) using a 8 mm wrench or flat screwdriver.
N	Put back the lower piston, see "Lower piston and/or front side seal and spacer kit replacement", page 72.



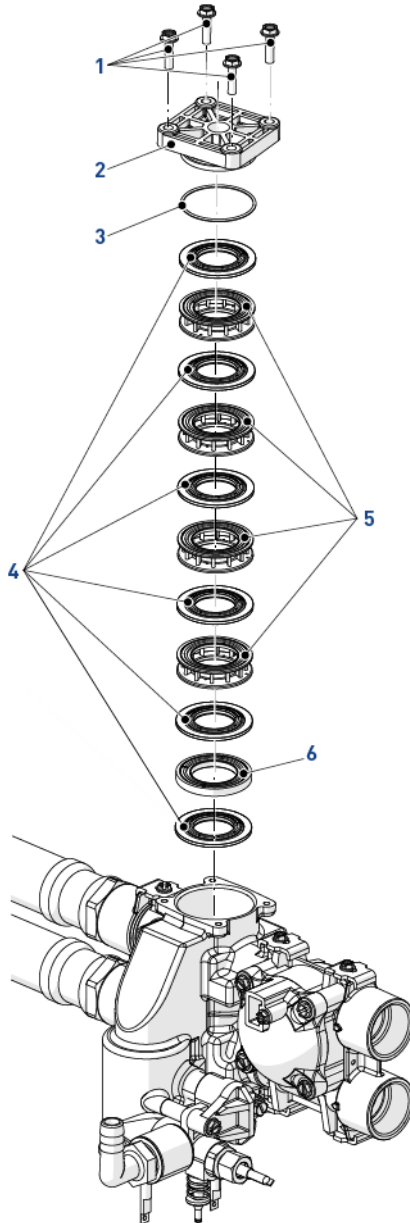
9.2.4.5 Valve produced after April 2015



Caution

Use only approved silicone grease or soapy water.

No.	Operation
A	Remove the lower piston, see "Lower piston and/or front side seal and spacer kit replacement", page 72.
B	Using a 8 mm wrench or flat screwdriver, unscrew (1) and remove the end cap (2) (PN BR43458).
C	Using a small hook, remove a seal (4).
D	Using the puller, remove a spacer (5).
E	Repeat C and D for all the seals and spacers.
F	Lubricate all seals (4) with approved lubricant only.
G	Put back a new seal (4) using the stuffer.
H	Put back the new plain spacer (6) using the stuffer.
I	Put back a new seal (4) using the stuffer.
J	Put back a new spacer (5) using the stuffer.
K	Repeat I and J for all the seals and spacers.
L	Lubricate the end cap o-ring (3).
M	Put back the end cap (2) and screw (1) using a 8 mm wrench or flat screwdriver.
N	Put back the lower piston, see "Lower piston and/or front side seal and spacer kit replacement", page 72.

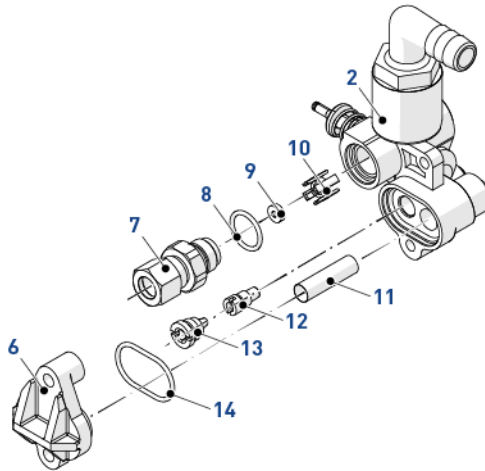
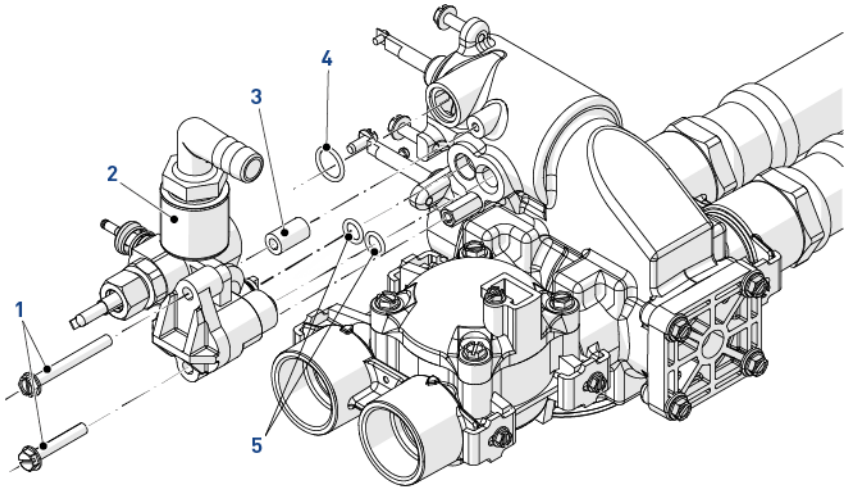


9.2.5. Injector block cleaning

No.	Operation
A	Remove the screws (1) .
B	Remove the injector block (2) and the spacer (3) .
C	Remove the o-rings (4) and (5) .
D	Remove the cap (6) .
E	Remove the injector filter (11) and clean it immersing it in limescale.
F	Unscrew the nozzle (13) and the injector (12) and clean them blowing inside and immersing them in limescale.
G	Screw the injector (12) back.
H	Screw the nozzle (13) back.
I	Put the injector filter (11) back.
J	Lubricate the o-ring (14) with approved lubricant only.
K	Put back the o-ring (14) on the cap (6) .
L	Put back the cap (6) .
M	Lubricate the o-rings (4) and (5) with approved lubricant only.
N	Put back the o-rings (4) and (5) .
O	Put back the injector block (2) with the spacer (3) .
P	Put back the screws (1) .

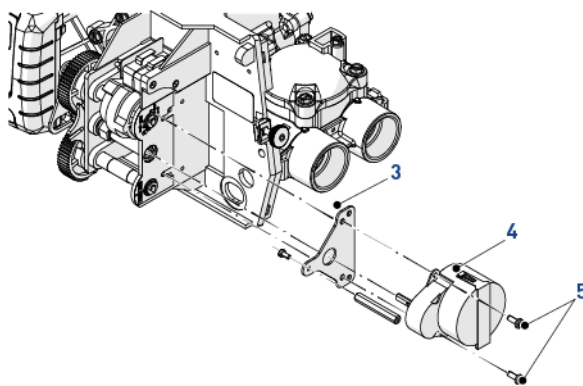
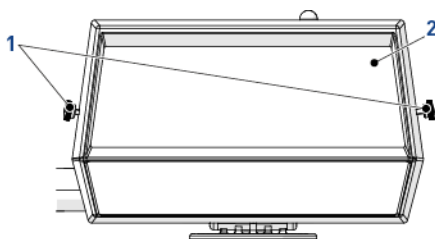
9.2.6. BLFC cleaning

No.	Operation
A	With a wrench, remove the nut and BLFC holder (7) .
B	Using a pliers, remove the BLFC cage (10) .
C	Remove BLFC washer (9) from BLFC holder (7) , and clean it with a terry cloth.
D	Lubricate the o-ring (8) with approved lubricant only.
E	Put back the BLFC washer (9) in the BLFC holder (7) and block it with the BLFC cage (10) .
F	Put back the BLFC holder (7) in the injector block (2) .



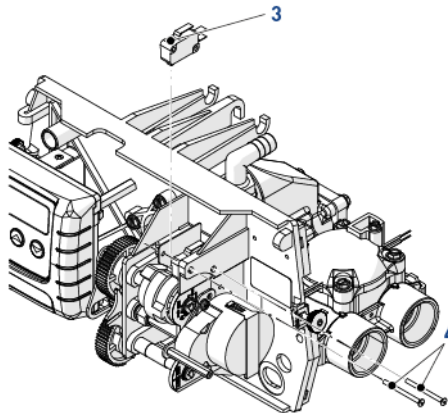
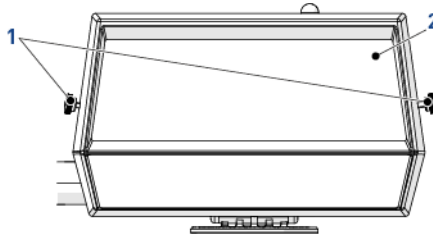
9.2.7. Controller motor replacement

No.	Operation
A	Loosen the wheels (1) and open the valve cover (2).
B	Disconnect the motor (4).
C	Unscrew (5) and pull out the old motor (4) and the plate (3).
D	Change the motor (4).
E	Reverse above procedure steps to rebuild.



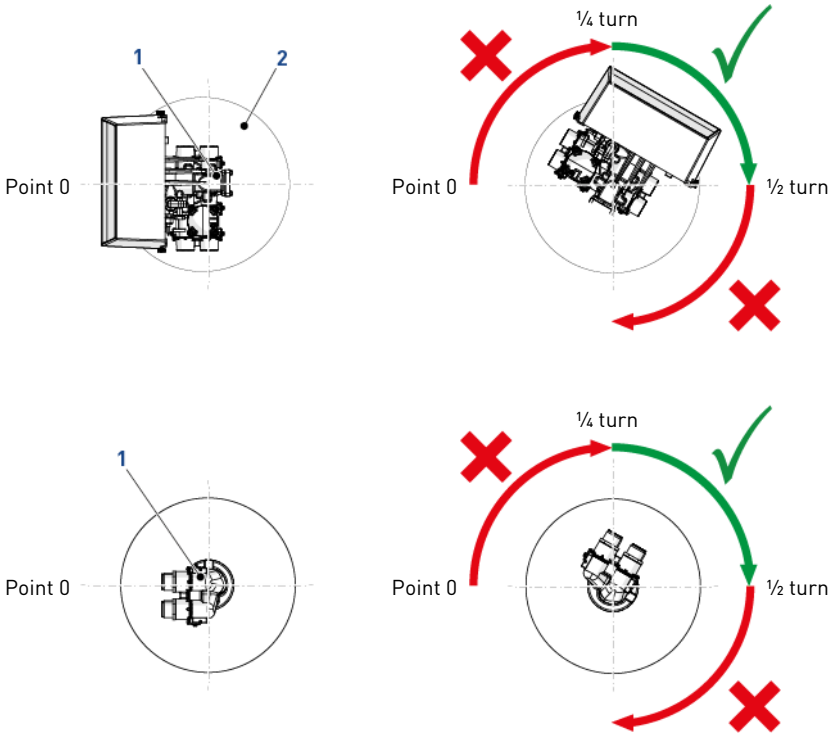
9.2.8. Micro-switches replacement

No.	Operation
A	Loosen the wheels (1) and open the valve cover (2).
B	Unscrew (4) and pull out the old micro-switches (3).
C	Disconnect the micro-switches (3).
D	Change the micro-switches (3).
E	Reverse above procedure steps to rebuild.



9.2.9. Valve & second tank adapter on tank assembly

No.	Operation
A	Lubricate the seals with approved silicone grease.
B	Spin the valve (1) onto the tank (2), ensuring the threads are not cross-threaded.
C	Rotate the valve (1) clockwise and freely, without using force until it comes to a stop.
i	Note This stop position is considered point zero.
D	Rotate the valve (1) clockwise from point zero to between 1/4 turn and 1/2 turn.
!	Caution Do NOT exceed 27 Nm of torque when installing the valve. Exceeding this limit may damage the threads and cause failure.



10. Troubleshooting

Problem	Cause	Solution
Softener fails to regenerate	Interrupted power.	Restore electrics (mains, fuse).
	Defective power head.	Replace power head.
	Unplugged meter cable.	Check connections of the controller and on the meter cover.
	Blocked meter.	Clean or replace meter.
	Defective motor.	Replace motor.
	Wrong programming.	Check programming and modify if necessary.
Softener delivers hard water	Bypass in "bypass" position.	Put bypass in "service" position.
	No salt in the brine tank.	Add salt in the brine tank and keep salt level above water level.
	Blocked injector and/or filter.	Clean or replace filter and/or injector.
	Not enough water in the brine tank.	Check brine tank filling time and clean flow regulator.
	Hardness arriving from hot water supply.	Repeated flushing of the hot water tank.
	Leak at the distributor tube.	Ensure the distributor tube has no cracks and check the O-ring.
	Internal valve leak.	Change seals & spacers and/or piston assy.
	Blocked meter.	Clean or replace meter.
	Unplugged meter cable.	Check connections of the controller and on the meter cover.
	Wrong programming.	Check programming and modify if necessary.
Excessive salt consumption	Improper brine refill setting.	Check use of salt setting of brine tank.
	Too much water in the brine tank.	See Iron presence in softener.
	Wrong programming.	Check programming and modify if necessary.
Water pressure drop	Iron deposit in the softener inlet.	Clean the inlet.
	Iron deposit in the softener.	Clean valve and resin.
	Valve inlet obstructed by foreign elements.	Remove piston and clean valve.

Problem	Cause	Solution
Loss of resin through drain line	Top distributor missing or broken.	Add or replace the top distributor.
	Air in water system.	Ensure the presence of air check system in the brine tank.
	Drain line flow control is the wrong size.	Ensure the drain line flow control is sized correctly.
Iron presence in softener	The resin bed is dirty.	Check backwash, brine draw and brine refill. Regenerate more often and increase backwash cycle time.
	Iron concentration exceeds recommended parameters.	Contact dealer.
Too much water in the brine tank	Plugged drain line flow control (DLFC).	Check flow regulator.
	Faulty brine valve.	Change brine valve.
	Wrong programming.	Check programming and modify if necessary.
Salted water in service line	Filter and injector blocked.	Clean injector and filter.
	Power head not operating proper cycles.	Replace power head.
	Foreign elements in brine valve.	Replace brine valve and clean it.
	Foreign elements in the brine line (BLFC).	Clean BLFC.
	Low water pressure.	Raise inlet pressure to 1.8 bar minimum.
	Wrong programming.	Check programming and modify if necessary.
No brine draw	Plugged drain line flow control (DLFC).	Clean DLFC.
	Plugged injectors and filter.	Clean injectors and filter, change if necessary.
	Low water pressure.	Raise inlet pressure to 1.8 bar minimum.
	Internal valve leak.	Change seals & spacers and/or piston assy.
	Wrong programming.	Check programming and modify if necessary.
	Power head not working properly.	Replace power head.
The valve regenerates constantly	Faulty power head.	Change power head.
	Faulty micro-switches or wiring loom.	Change micro-switches or wiring loom.
	Defective or badly set cycle cam.	Reposition or change cycle cam.

Problem	Cause	Solution
Constant leakage to the drain	Foreign elements in the valve.	Clean valve and check it in the different regeneration positions.
	Internal valve leak.	Change seals & spacers and/or piston assy.
	Valve blocked in brine refill or backwash.	Change seals & spacers and/or piston assy.
	Defective or blocked controller motor.	Replace motor and check gear teeth.
	Power head not operating properly.	Replace power head.

10.1. Error detection

Errors codes appear on the service display.



Note

It can take up to 1 minute before an error can be detected and displayed.

10.2. Error types and causes

10.2.1. Motor stall/cam sense error



Note

No states changes in the microswitch detected for one minute.

- A** Unplug the unit and plug back in. Allow the controller to attempt to find position again.
- B** If the unit doesn't find position, unplug, open the cover (see 9.2.2. Controller replacement, page 67) and verify the microswitch is in place with the wires connected to the circuit.
- C** Verify the motor and gearing components are in good condition and assembled properly.
- D** Check the valve and verify that the pistons travel freely.
- E** Replace/reassemble the various components as necessary.
- F** Plug the unit back in and observe its behaviour.
- G** If the error reoccurs, unplug the unit.
- H** Put it into bypass.
- I** Contact dealer.



10.2.2. Motor run-ON error/cycle sense error



Note

An undesired microswitch state change occurred.

- A** Unplug the unit and plug back in. Allow the controller to attempt to find position again.
- B** If the unit doesn't find position, unplug, open the cover (see "Controller replacement", page 67) and examine the power head.
- C** Verify the microswitch is in place with wires connected to the circuit board.
- D** Enter master programming mode.
- E** Verify that the valve type and system type are set correctly with regard to the unit itself.
- F** Step the unit to a manual regeneration.
- G** Verify that it functions correctly.
- H** If the error reoccurs, unplug the unit.
- I** Put it into bypass.
- J** Contact dealer.



10.2.3. Regeneration failure



Note

The system has not regenerated for more than 99 days or 7 days if the controller type has been set to day of week.

- A** Perform a manual regeneration to reset the error code.
- B** If the system is metered, verify that it is measuring flow by running service water and watching for the flow indicator on the display.
- C** If the unit doesn't measure flow, verify that the meter is working properly and its cable is well connected.
- D** Enter master programming mode.
- E** Verify that the unit is configured properly.
- F** Check that system capacity has been selected.
- G** Check that day override is set properly.
- H** Check that meter is identified correctly.
- I** If the unit is configured as a day of week system, verify that at least one day is set ON.
- J** Correct the setting as necessary.



10.2.4. Memory error

**Note**

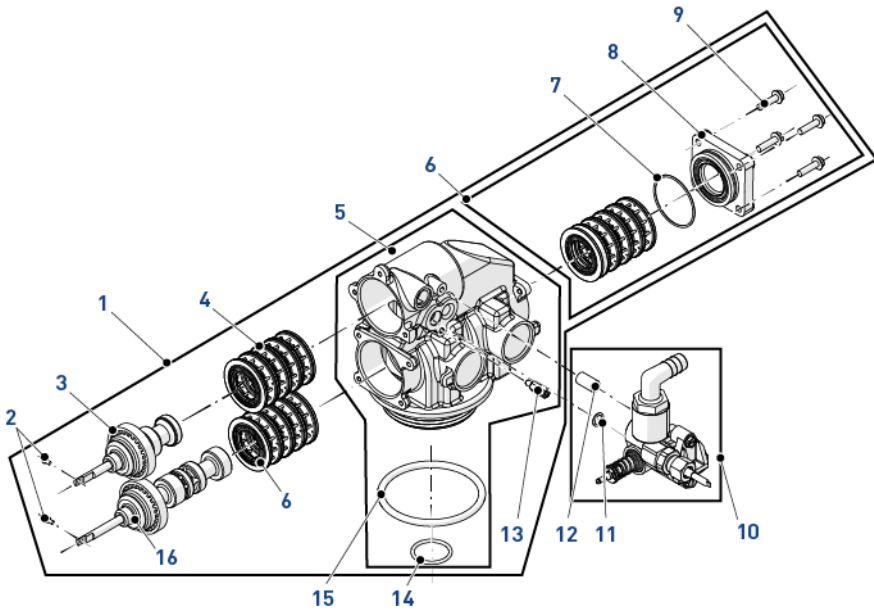
The controller board has a memory failure.

- A Perform a master reset.
- B Reconfigure the system via master programming mode.
- C Step the valve through a manual regeneration.
- D If the error reoccurs, unplug the unit.
- E Put it into bypass.
- F Contact dealer.




11. Spare parts

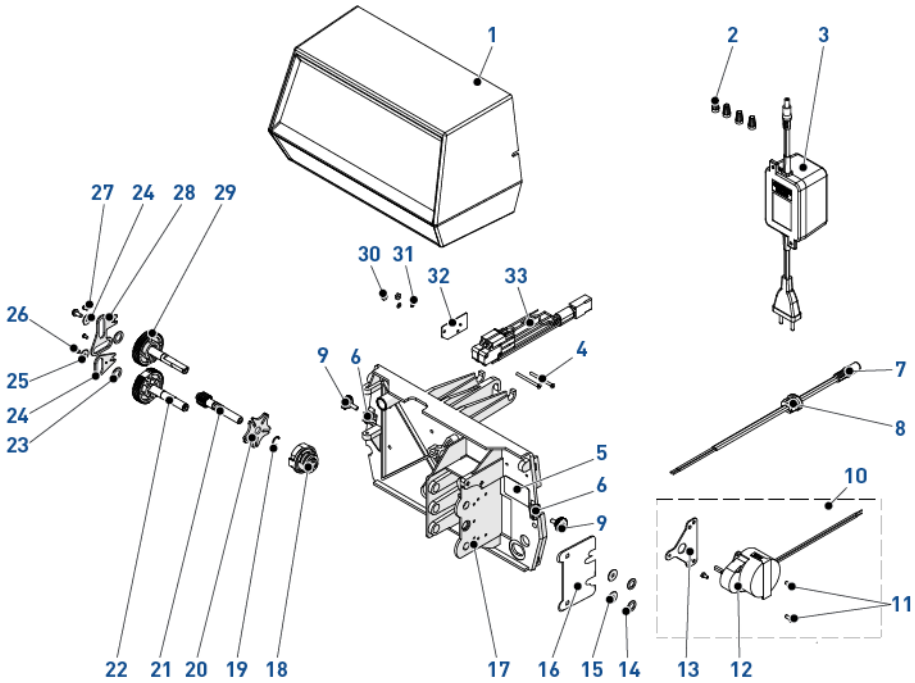
11.1. Valve parts list



Item	Part number	Description	Assembly quantity	Min. order quantity
1	BU28523-01	VB assy 9000 DF	1	1
-	BU28523-02	VB assy 9000 DF HW	1	1
-	BU28523-03	VB assy 9000 UF	1	1
2	11335SP	Piston rod screw	2	10
3	24234-US	Piston assy 9000/9100 upper	1	1
-	27188-US	Piston assy 9000 upper DF HW	1	1
4	24115	S&S kit residential	1	1
-	24944	S&S kit 4600/9000 upper HW	1	1

Item	Part number	Description	Assembly quantity	Min. order quantity
5	BU28606	VB 9000 & seals	1	1
6	BU28664	S&S kit 9000/9100 lower	1	1
4 + 6	26013	S&S kit 9000 HW upper & lower	1	1
-	25642	S&S kit 9000/9100 upper & lower	1	1
Not shown	14928	Sub end plug for valve produced before Nov. 2009	1	1
7	40952SP	O-ring for valve produced from Nov. 2009	1	10
8	14906	End plate for valve produced before Nov. 2009	1	1
-	BR42278	End cap for valve produced from Nov. 2009 until Apr. 2015	1	1
-	BR43458	End cap for valve produced after Apr. 2015	1	1
9	24874SP	End plate screw for valve produced before Nov. 2009	4	50
-	15331SP	End cap screw for valve produced from Nov. 2009	4	50
10	VCINJ1	Injector residential	1	1
 Note The sizes for injector, drain line flow control and brine line flow control have to be specified.				
11	13497SP	Air disperser	1	50
12	13361SP	Spacer inj	1	5
13	26726SP	Spacer inj	1	5
14	11710-01SP	Adapt o-ring 560 CD	1	50
15	12281-01SP	O-ring top of tank 560 CD	1	10
16	24235-US	Piston assy 9000/9100 lower DF	1	1
-	27187-US	Piston assy 9000 lower DF HW	1	1
-	28173	Piston assy 9000/9100 lower UF	1	1

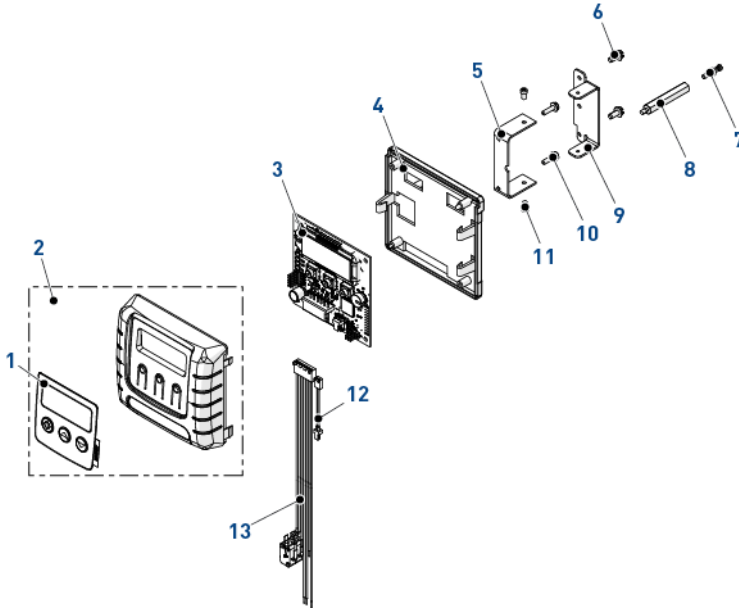
11.2. Power head parts list



Item	Part number	Description	Assembly quantity	Min. order quantity
-	VCPHTWIN1	Twin power head assy 9000 - 9100 - 9500	1	1
1	19291-020	Cover 9000/9100/9500 black	1	1
2	40422SP	Wire nut tan	4	50
3	BU28597	Kit transformer 10VA 400 mA residential	1	1
4	15172SP	Screw flat head	2	50
5	21271	Serial number label	1	1
6	18728SP	Clip 9000/9500	2	50
7	BU28552	Transformer wire harness	1	1

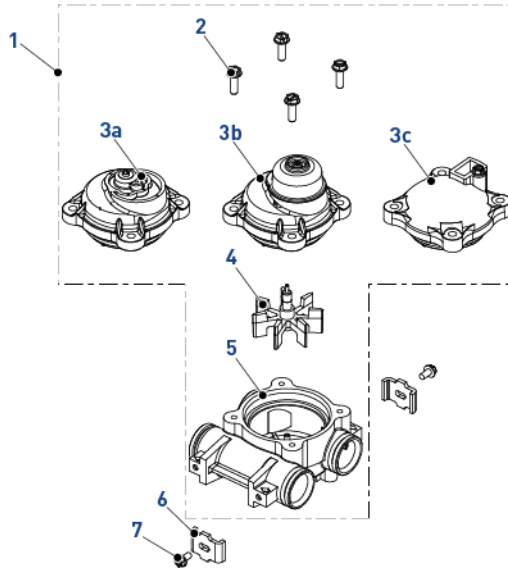
Item	Part number	Description	Assembly quantity	Min. order quantity
8	13547SP	Strain relief 24V	1	50
9	19367SP	Cover designer screw 12.7 mm	2	10
10	26503-24	Drive motor assy 24V 50/60 Hz twin	1	1
11	19160	Screw, #6-32 x 3/8 pan head	2	50
12	BR18737	Drive motor 24V 50/60 Hz 1 rpm	1	1
13	15199	Ground plate 9000/9100/9500	1	1
14	14917SP	Crescent retaining ring 9000/9100/9500	2	10
15	15692SP	Washer brass 9000/9500	2	50
16	27002SP	Label shaft pos picto 9000/9500	1	10
17	15131	Back plate 9000/9100/9500	1	1
18	BR15132	Triple cam 9000/9100 DF	1	1
19	15810SP	Retaining ring 9000/9500	1	10
20	14896SP	Wheel, Geneva	1	10
21	15135SP	Drive gear 9000/9100/9500	1	10
22	25870	Drive gear lower 9000 assy	1	1
23	15372SP	Washer 9000/9500	1	10
24	15019	Link, piston rod	2	1
25	23250SP	Washer LN 4	2	50
26	17798	Screw, hex washer head, #8-16 x .38	2	10
27	BR11335	Screw, fillister head, #4-40 x .19	2	10
28	14921SP	Link, piston rod	1	10
29	25868	Drive gear up assy	1	1
30	10339SP	Nut switch mount	2	50
31	11663SP	Lock washer	2	50
32	10302SP	Insulator limit switch	2	50
33	BU27746	Harness 9000	1	1

11.3. Controller parts list



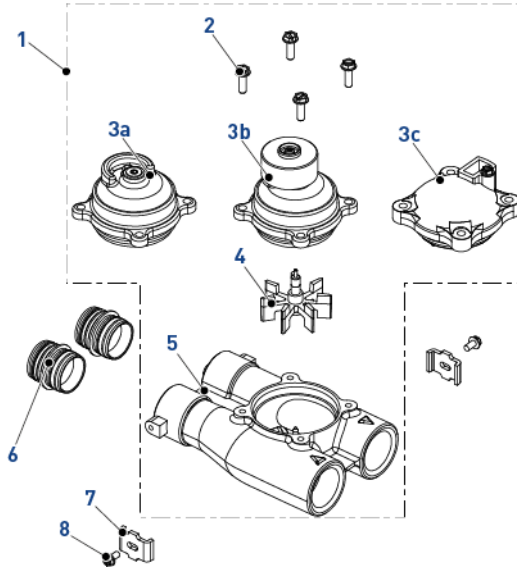
Item	Part number	Description	Assembly quantity	Min. order quantity
-	BU28712-02	Complete SXT controller without meter cable	1	1
1	BR42637	SXT front panel	1	1
2	BU28714	Cover front panel & label SXT	1	1
3	BR43346-E0	Circuit board SXT programmed Eco	1	1
4	19889	Circuit board housing	1	1
5	26982	Mounting bracket controller	1	1
6	13296SP	Screw	2	50
7	14265SP	Clip spring timer	1	10
8	26983	Stand off	1	1
9	13881SP	Timer hinge bracket	1	10
10	10300SP	Timer screw	2	50
11	11384SP	Screw PH 6-32x¼ zinc	2	50
12	BU27808	Meter cable adapted SE 60 mm	1	1
13	BU28528	Wire harness with switches	1	1

11.4. 3/4" plastic turbine meter



Item	Part number	Description	Assembly quantity	Min. order quantity
1	24107	Meter assy 3/4" 8 m ³ plastic	1	1
-	24106	Meter assy 3/4" 40 m ³ 9000 plastic	1	1
-	26702	Meter assy 3/4" elec	1	1
2	12473SP	Screw hex washer 10-24x5/8 18-8SS	4	50
3a	BR14038	Meter cover assy plastic	1	1
3b	BR15150	Meter cover assy plastic	1	1
3c	18330	Meter cover assy elec	1	1
4	13509SP	Impeller meter except 2" & 3"	1	10
5	24102	Meter body assy 3/4" & ring	1	1
6	13255SP	Mounting clip	2	12
7	13314SP	Screw adapt clip	2	50
-	14202-01SP	Screw adapt clip 9000/9100	2	50

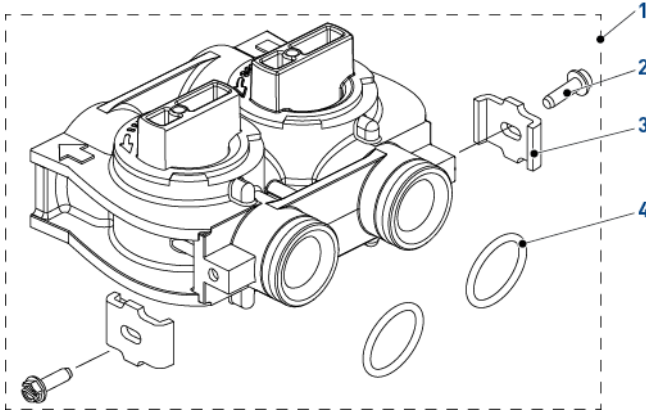
11.5. 1" brass turbine meter



Item	Part number	Description	Assembly quantity	Min. order quantity
1	24229	Meter assy 1" 20 m ³	1	1
-	24228	Meter assy 1" 100 m ³	1	1
-	27130	Meter assy 1" elec 9000 ET	1	1
2	11737SP	Screw TH M5x12	4	50
3a	15218	Cover meter assy brass	1	1
3b	15237	Meter cover assy brass extended	1	1
3c	18330	Meter cover assy elec	1	1
4	13509SP	Impeller meter except 2" & 3"	1	10
5	15043-20	Meter body 1" 9000	1	1
6	15078-01	Coupling assy 9000	2	4
7	13255SP	Mounting clip	2	12
8	13314SP	Screw adapt clip	2	50
-	14202-01SP	Screw adapt clip 9000/9100	2	50

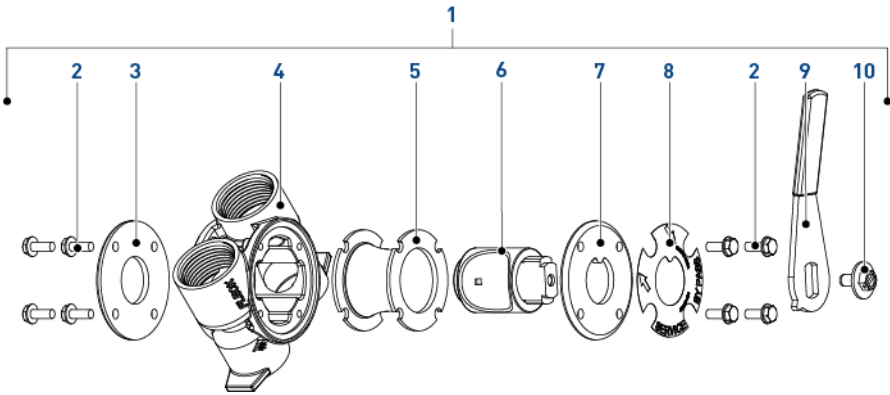
11.6. Bypass valve list

11.6.1. Plastic bypass (no yoke)



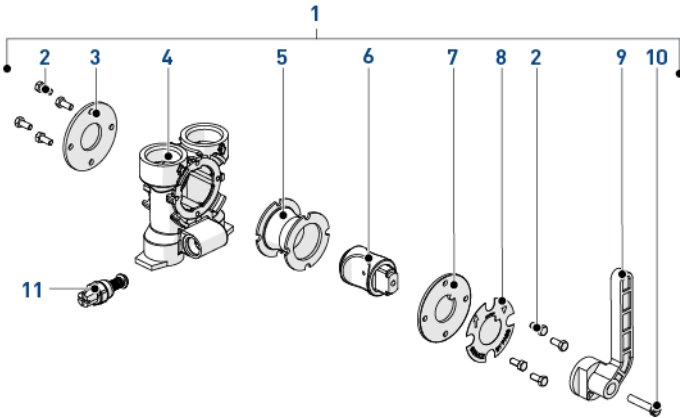
Item	Part number	Description	Assembly quantity	Min. order quantity
1	BU26054	Bypass plastic (no yoke)	1	1
2	13314SP	Screw adapt clip	2	50
3	13255SP	Mounting clip	2	12
4	13305-01SP	O-ring 560 CD adapt coupling	2	10

11.6.2. 1" BSP female stainless steel bypass



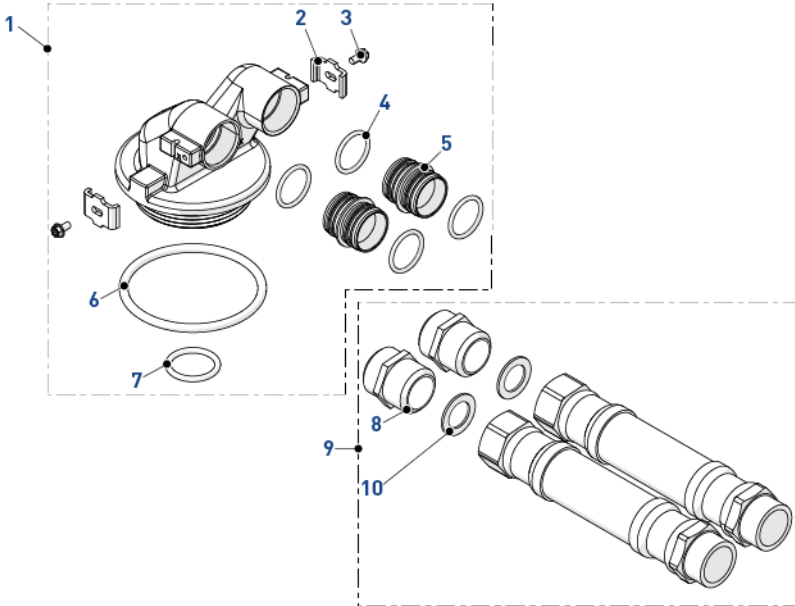
Item	Part number	Description	Assembly quantity	Min. order quantity
1	BU28502	Bypass stainless steel 1" BSP, female	1	1
2	11737SP	Screw TH M5x12	8	50
3	BU11986	Cover bypass bottom	1	1
4	40634-10	Bypass body, 1" BSP, stainless steel	1	1
5	14105SP	Seal, bypass, 560CD	1	5
6	BU11972	Plug, bypass	1	1
7	BU11978	Cover bypass top	1	1
8	13604-1	Label bypass standard	1	1
9	24419-10SP	Bypass handles red	1	10
10	13386SP	Screw hex head	1	10
See item 7 page 104	Kit 256	Adapter assembly, kit coupling, with o-rings	1	1

11.6.3. 1" BSP female brass with mixing



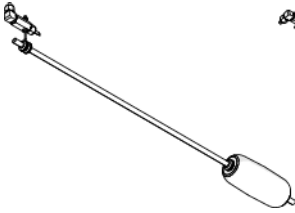
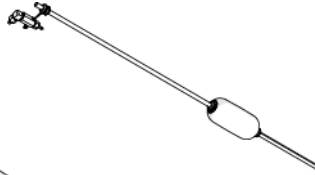
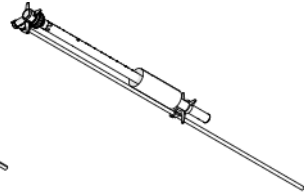
Item	Part number	Description	Assembly quantity	Min. order quantity
1	24734-10	Bypass brass 1" BSP, female, with mixing	1	1
2	11737SP	Screw TH M5x12	8	50
3	BU11986	Cover bypass bottom	1	1
4	24155	Bypass body, 1" BSP, brass	1	1
5	14105SP	Seal, bypass, 560CD	1	5
6	BU11972	Plug, bypass	1	1
7	BU11978	Cover bypass top	1	1
8	13604-1	Label bypass standard	1	1
9	24419-10SP	Bypass handles red	1	10
10	BU28642	Screw	1	1
11	24509-01	Mixing assy resid	1	10
See item 7 page 104	Kit 256	Adapter assembly, kit coupling, with o-rings	1	1

11.7. Second tank adapter parts list



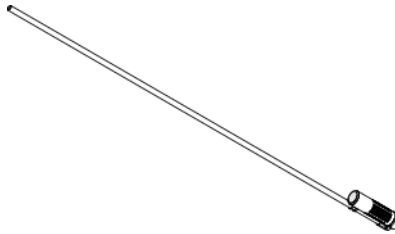
Item	Part number	Description		Packaging quantity
1	24238	2nd tank adapt assy 9000	1	1
2	13255SP	Mounting clip	2	12
3	14202-01SP	Screw adapt clip 9000/9100	2	50
4	13305-01SP	O-ring 560 CD adapt coupling	4	10
5	15078-01	Coupling assy 9000	2	4
6	12281-01SP	O-ring top of tank 560 CD	1	10
7	11710-01SP	Adapt O-ring 560 CD	1	50
8	18333	Adapt 1"x 1" male flexible 9000	2	1
9	18122	Kit flexible 2nd tank adapter - 200 mm	1	10
-	18123	Kit flexible 2nd tank adapter - 400 mm	1	10
-	18124	Kit flexible 2nd tank adapter - 500 mm	1	5
10	11206SP	Gasket fitting	2	10

11.8. Safety brine valves list

2300

2310

BV 44


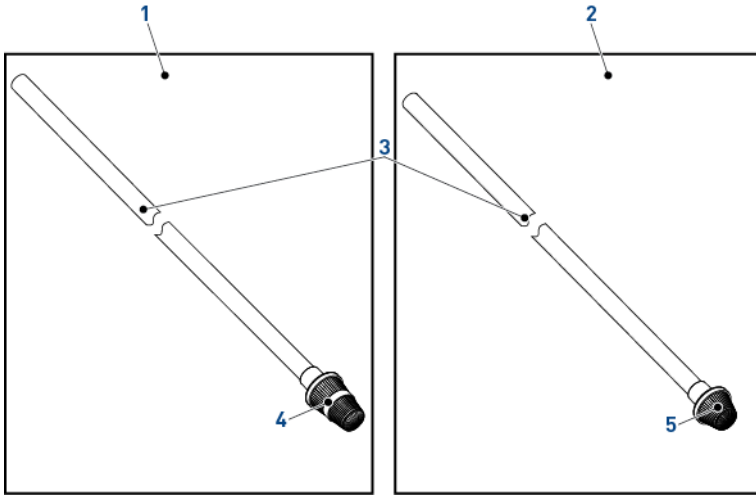
Item	Part number	Description	Assembly quantity	Min. order quantity
-	27833	Safety brine valve 2300 - without air-check	1	1
-	27834	SBV 2300 - HW - without air-check	1	1
-	60067-03	Safety brine valve 2310 - without air-check	1	1
-	25687	Brine valve 44 - 914mm	1	1
-	18961	Brine valve 44 - 1250mm	1	1

11.9. Air checks list



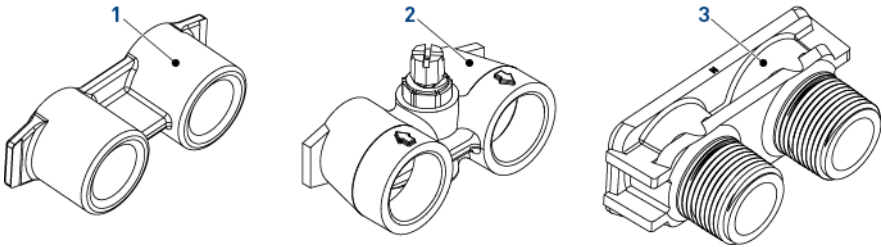
Item	Part number	Description	Assembly quantity	Min. order quantity
-	18168	Air check 500 - 915mm (36")	1	1
-	26773	Air check 500 - 1m25	1	1
-	23473	Air checks 500 - HW	1	1

11.10. Distributors list



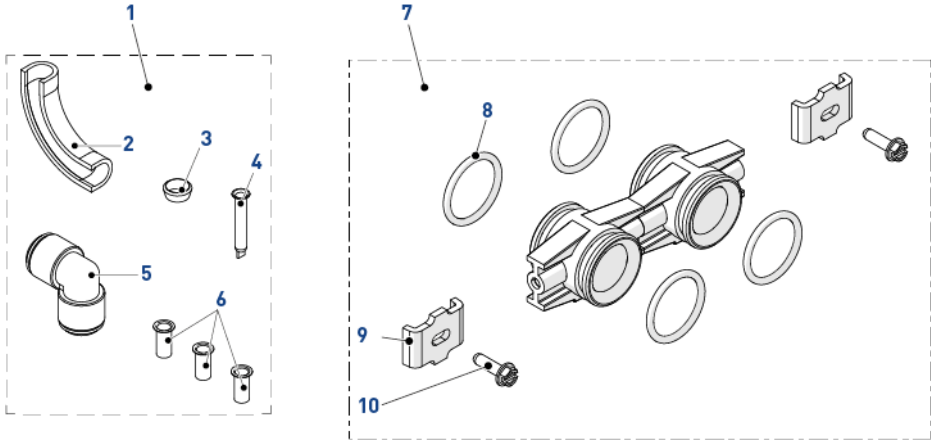
Item	Part number	Description	Assembly quantity	Min. order quantity
1	27827	Distributor assy, 1" high flow 1 m 10	1	24
-	25645	Distributor assy, 1" high flow 1 m 95	1	24
-	BU28508	Distributor assy, 1" high flow HW 1m10	1	24
-	21675	Distributor assy, 1" high flow hot water 1 m 88	1	12
2	27828	Distributor assy, 1" UF & high capacity 1 m 10	1	24
-	BU28509	Distributor assy, 1" high flow hot water 1 m 10	1	24
-	25639	Distributor assy, 1" high capacity HW 1m88	1	24
3	BU28648	Distributor tube, 1" - 1 m 85 (ACS)	1	1
-	BU28650	Distributor tube, 1" - 1 m 06 (ACS)	1	1
-	BU28507	Distributor tube, 1" - 1m06 HW	1	1
-	12165-01	Distributor tube, 1" - 1m78 HW	1	1
4	25360	Bottom distributor, 1" high flow	1	1
-	27106	Bottom distributor, 1" high flow hot water	1	1
5	25797	Bottom distributor, 1" UF & high capacity	1	1
-	27109	Bottom distributor, 1" high capacity hot water	1	1

11.11. Yokes



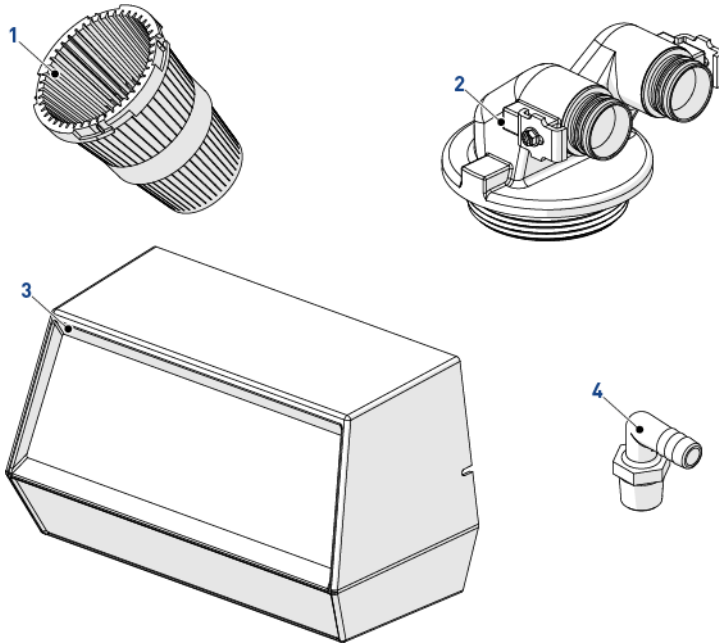
Item	Part number	Description	Assembly quantity	Min. order quantity
1	13398-10	Yoke, 1", BSP, female, brass	1	1
2	24735	Yoke, 1", BSP, female, brass, mixing	1	1
3	24689	Yoke, 3/4", BSP, male, brass	1	1
-	18706-12	Yoke, 3/4", BSP, male, plastic	1	1
-	18706-10	Yoke, 1", BSP, male, plastic	1	1

11.12. Other components list



Item	Part number	Description	Assembly quantity	Min. order quantity
1	Kit accessories 1600		1	1
2	24575SP	Tube holder	1	10
3	10330SP	Sleeve 3/8"	1	50
4	12767SP	Screen brine line	1	10
5	12794-01SP	Elbow 3/8"x 3/8"	1	10
6	10332SP	Insert sleeve 3/8"	3	50
7	Kit 256	Adapter assembly, kit coupling, with o-rings	1	1
8	13305-01SP	O-ring 560 CD adapt coupling	4	10
9	13255SP	Mounting clip	2	12
10	13314SP	Screw adapt clip	2	50
Not shown	BU28319	Kit 9000	1	1

11.13. CE compliance parts list



Item	Part number	Description	Assembly quantity	Min. order quantity
1	18280SP	Collector top 1" x 0.011 grey bayonet	1	10
2	28242	2nd tank adapt assy 9100	1	1
3	19291-020	Cover 9000/9100/9500 black	1	1
4	21511SP	Hose barb 90° 1/2" x 1/2", black or grey	1	10

12. Disposal

The device must be scrapped in accordance with directive 2012/19/EU or the environmental standards in force in the country of installation. The components included in the system must be separated and recycled in a waste recycling center that conforms with the legislation in force in the country of installation. This will help to reduce the impact on the environment, health, safety and help to promote recycling. Pentair does not collect used product for recycling. Contact your local recycling center for more information.



PAGE INTENTIONALLY LEFT BLANK



www.pentairaquaeeurope.com